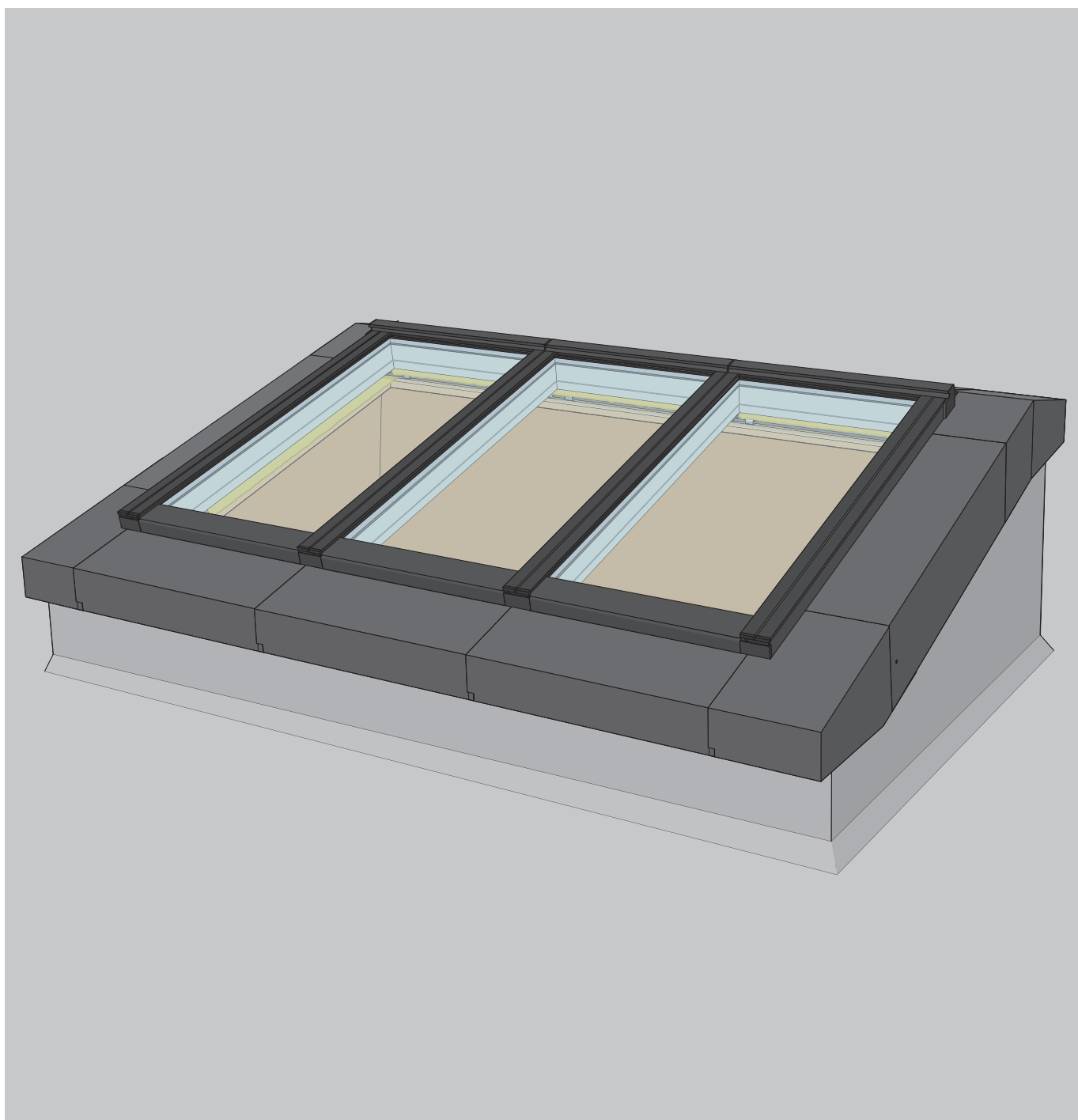


HFC/HVC + ELC

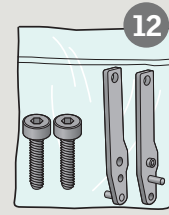




A1-L

HFC/HVC + ELC

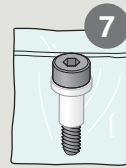
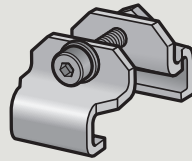
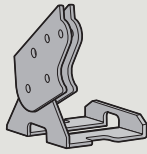
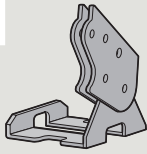
HVC CE all



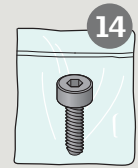
M8 x 20 mm



A2-L



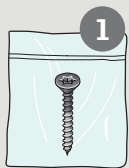
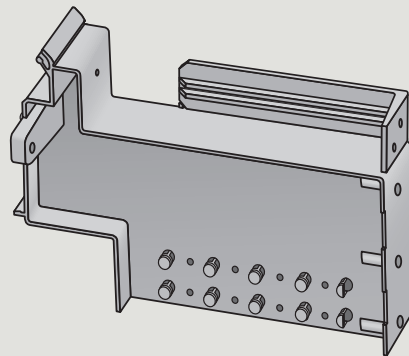
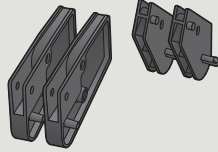
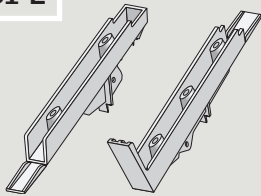
M8 x 30 mm



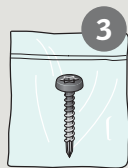
M8 x 14 mm



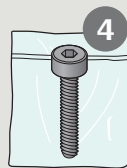
B1-L



4,2 x 25 mm



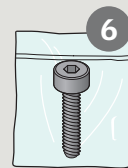
4,2 x 25 mm



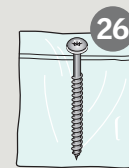
M6 x 35 mm



M6



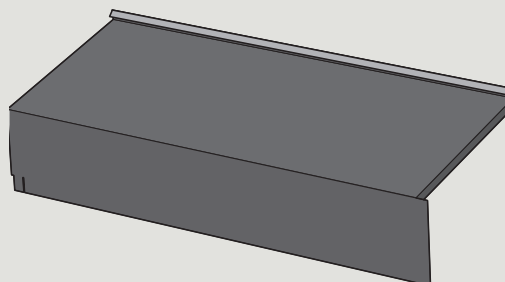
M8 x 30 mm

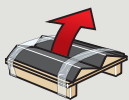


4 x 50 mm

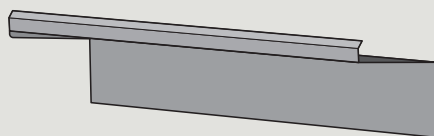


C1-L

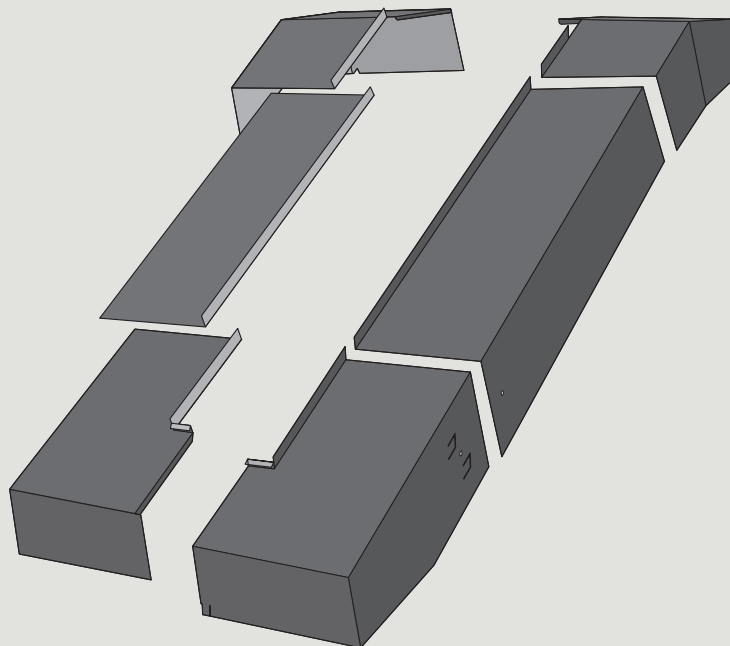




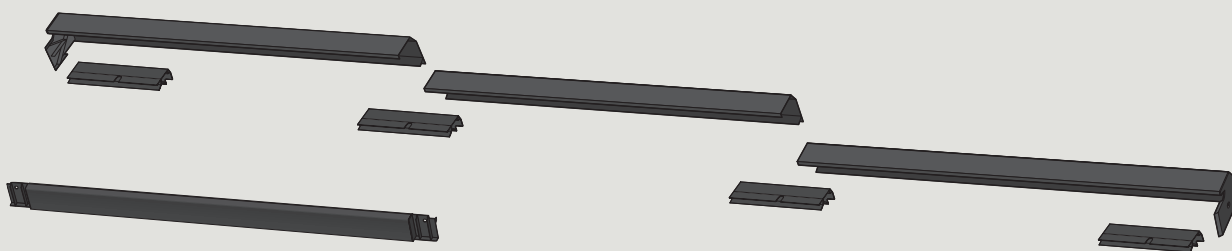
C2-L



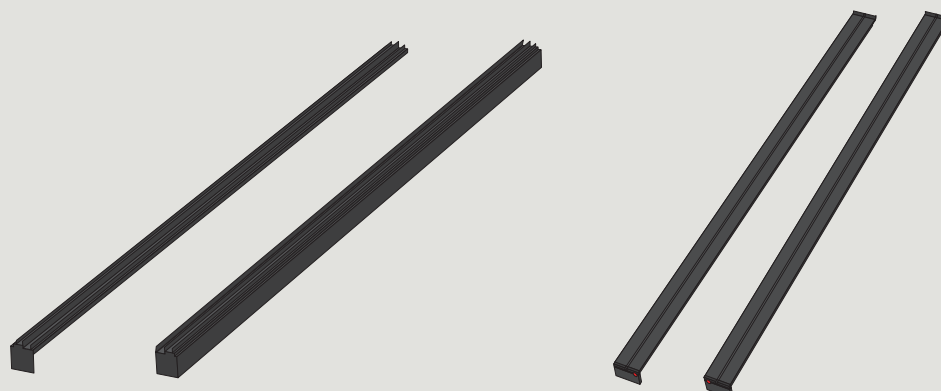
C3-L

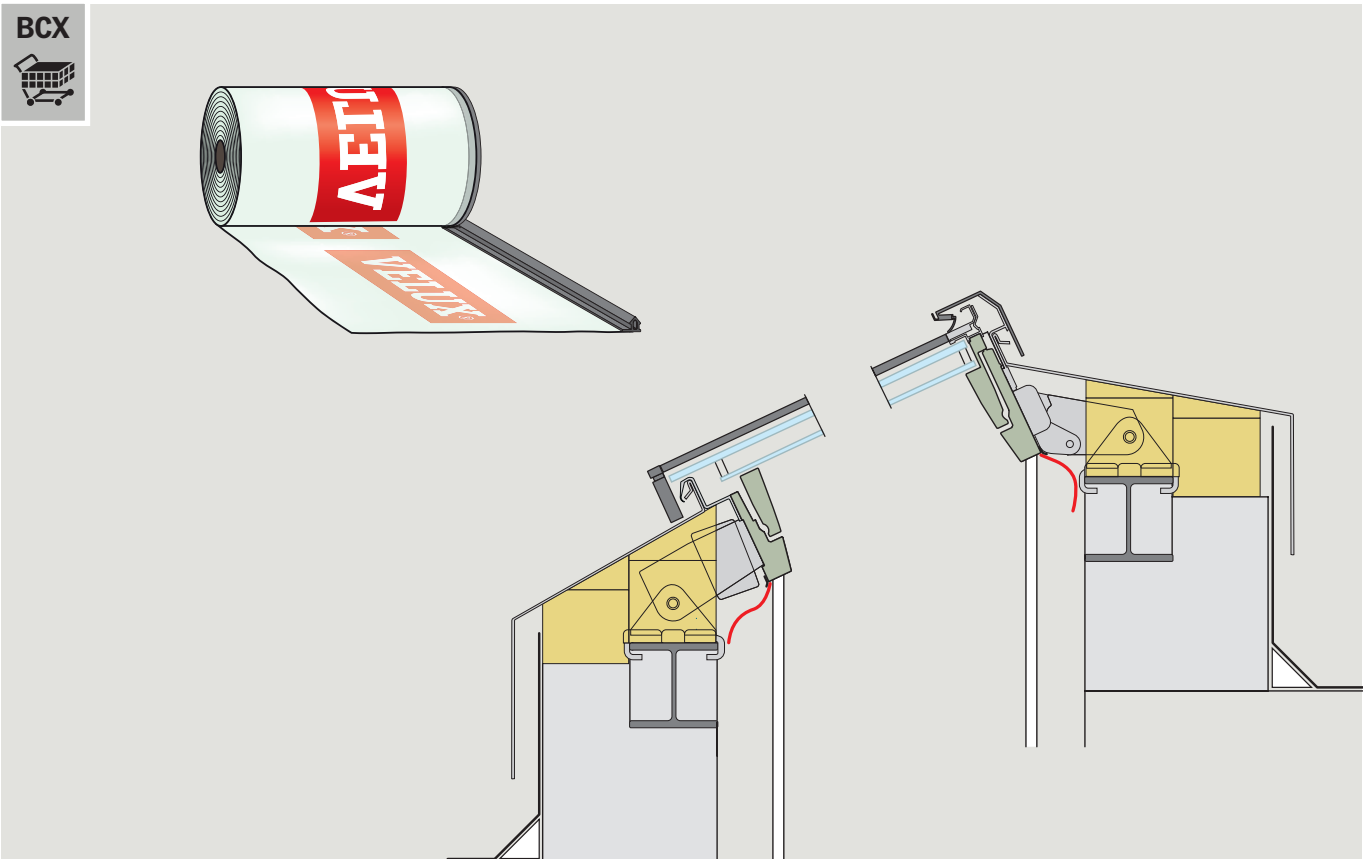
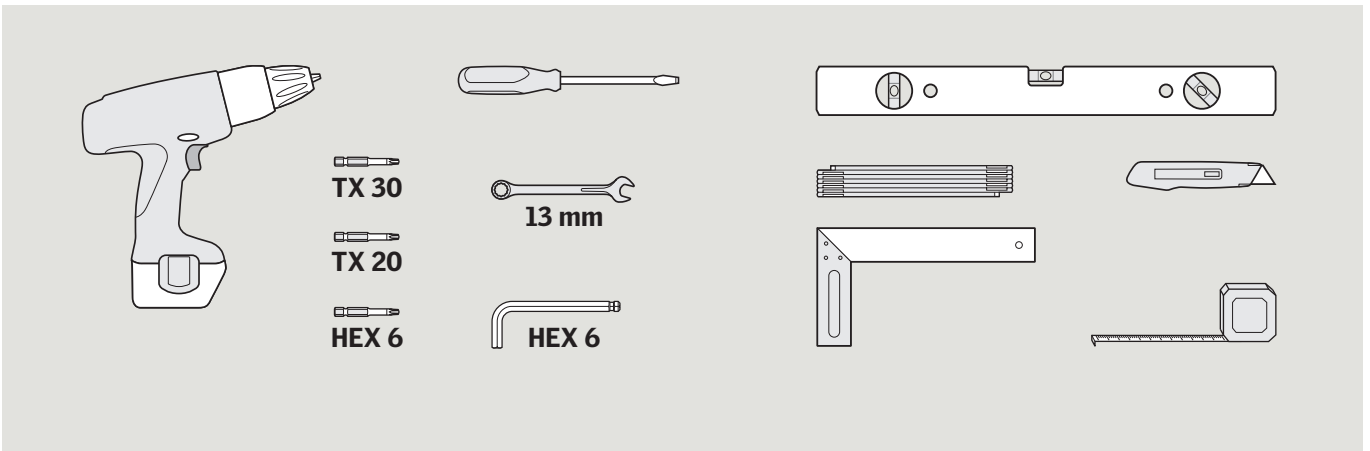
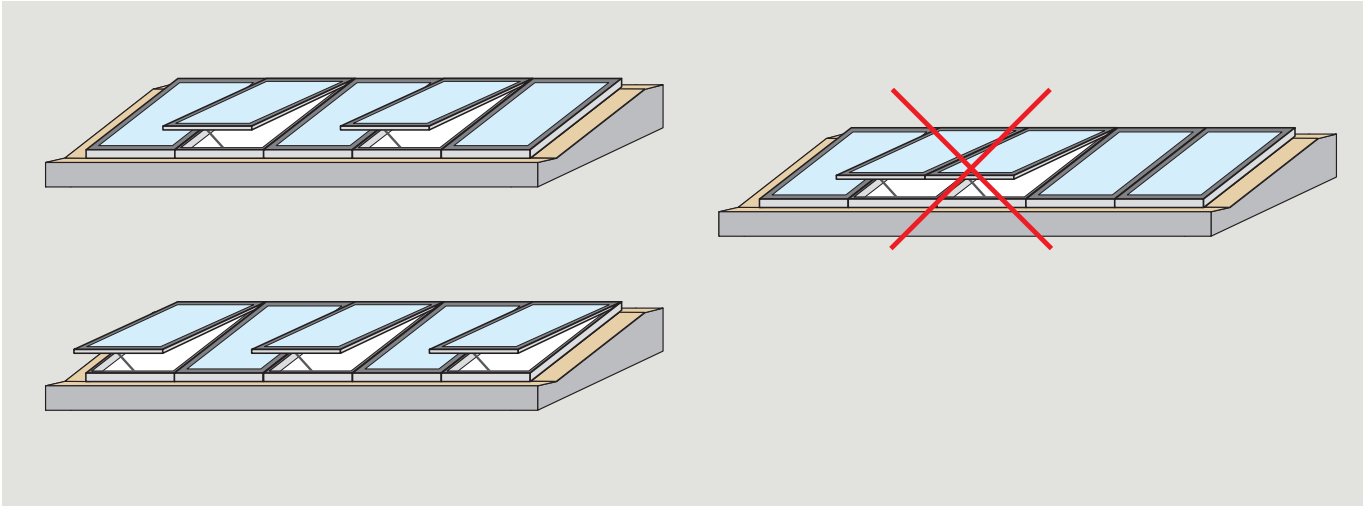


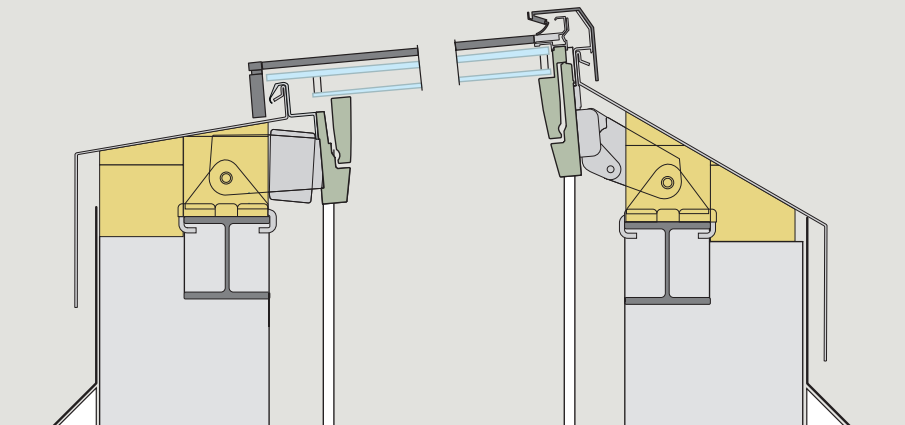
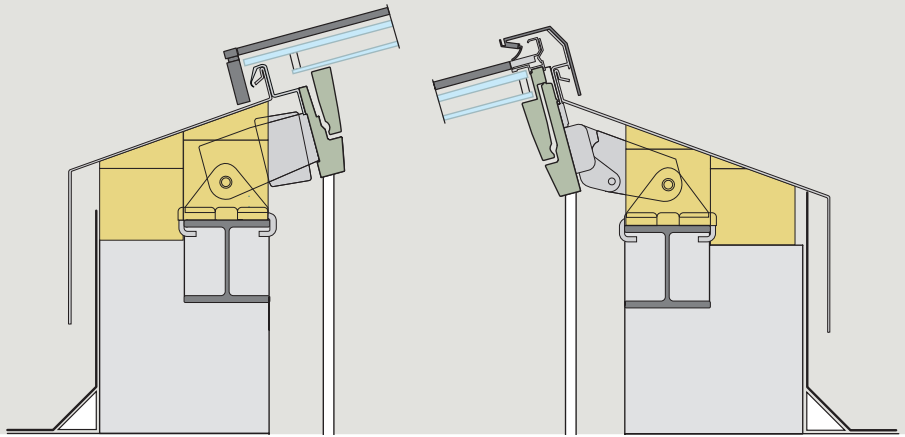
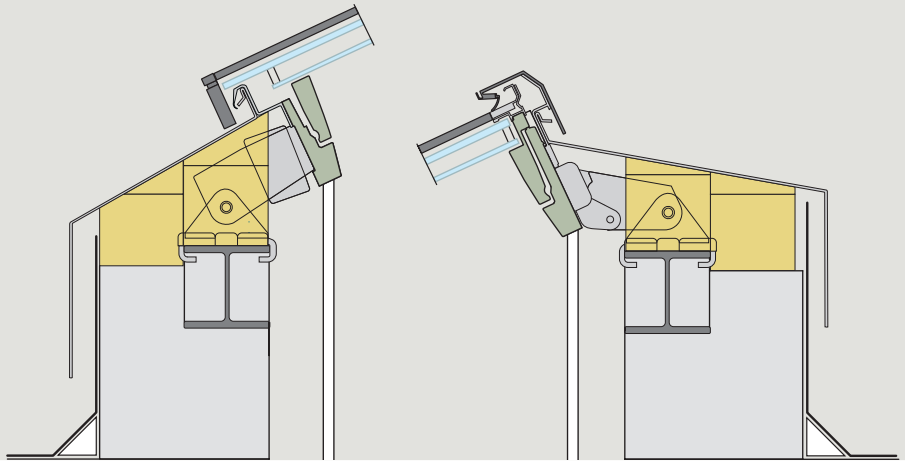
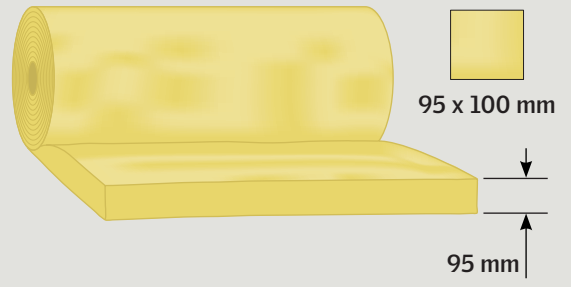
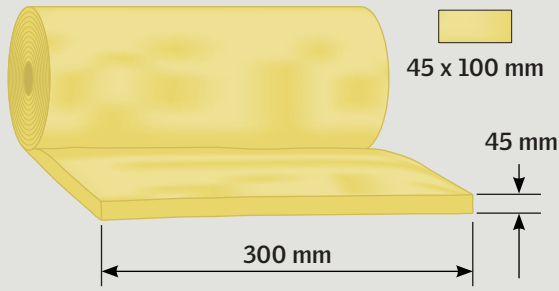
D1-L



D2-L

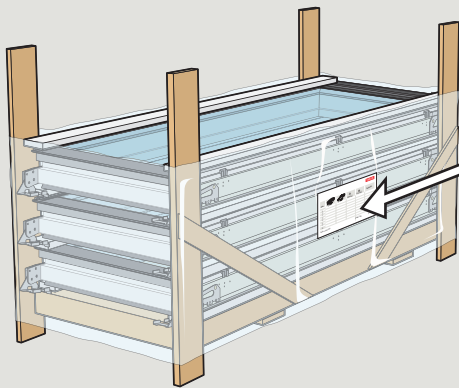
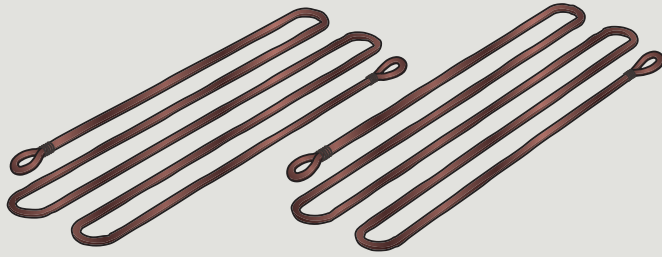






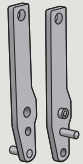
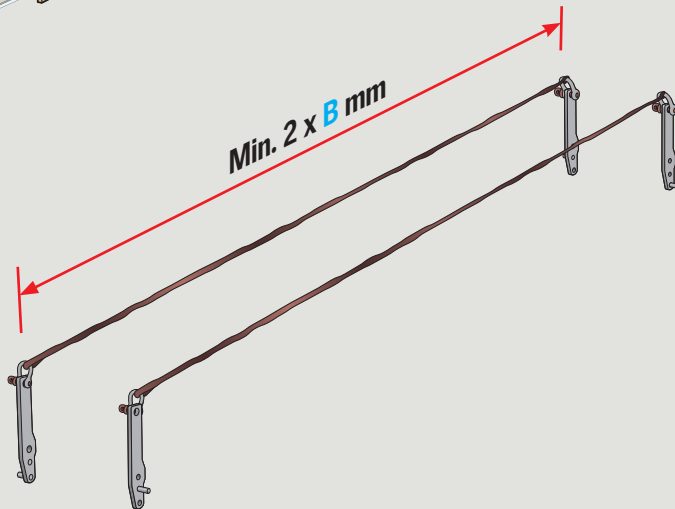


1/2 "

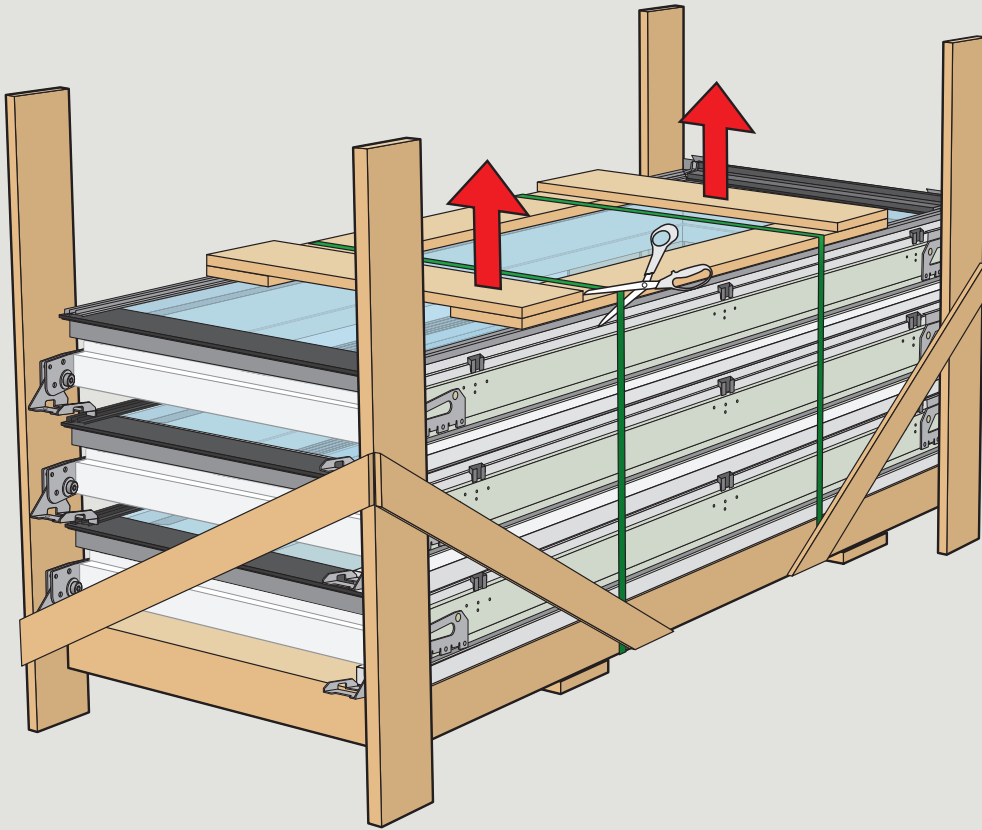


VELUX					
Pcs.			A (Width)	B (Height)	Variant
8					
7					
6					
5					
4					
3					
2					
1					

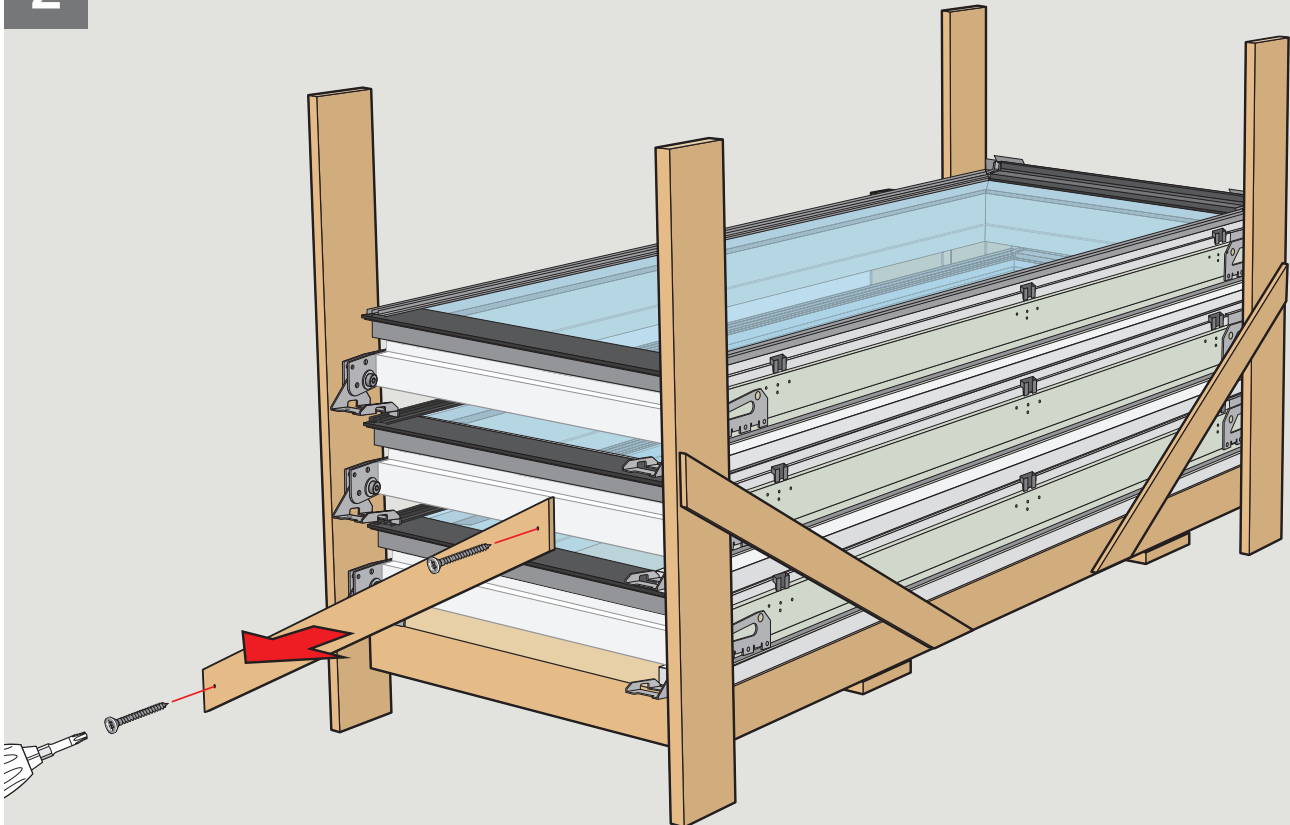
Sales order No: _____ Pallet No: /



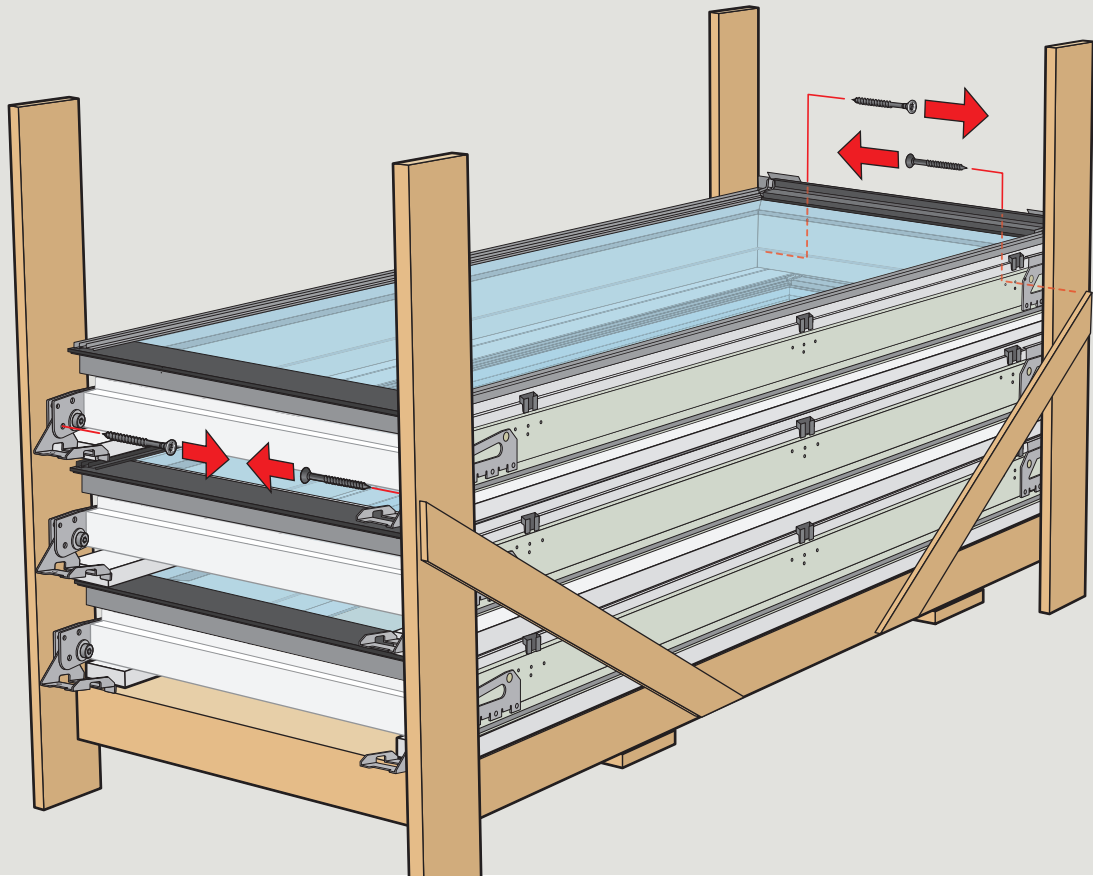
1



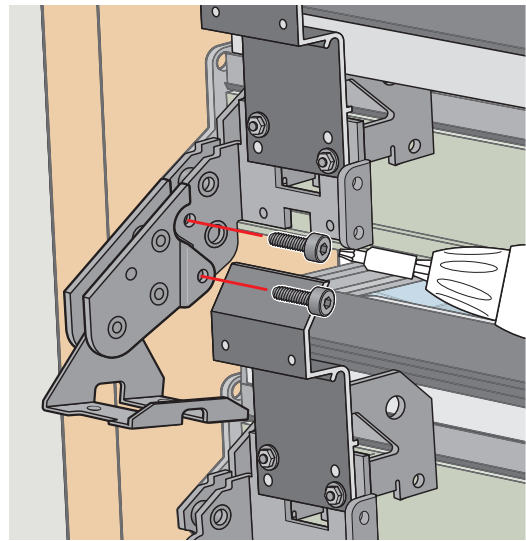
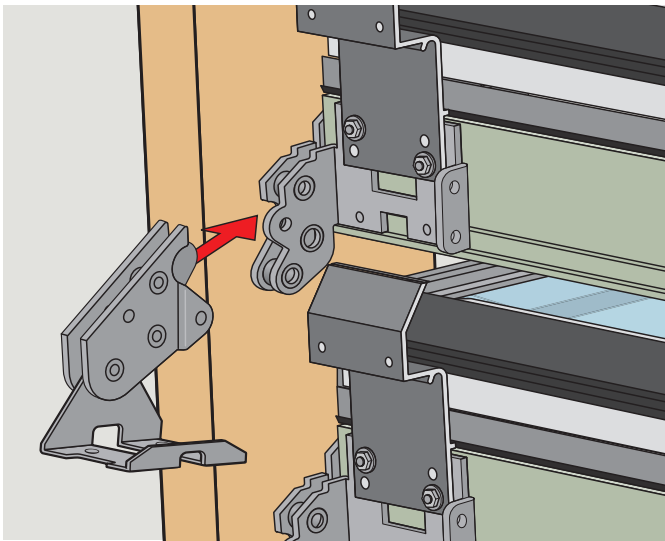
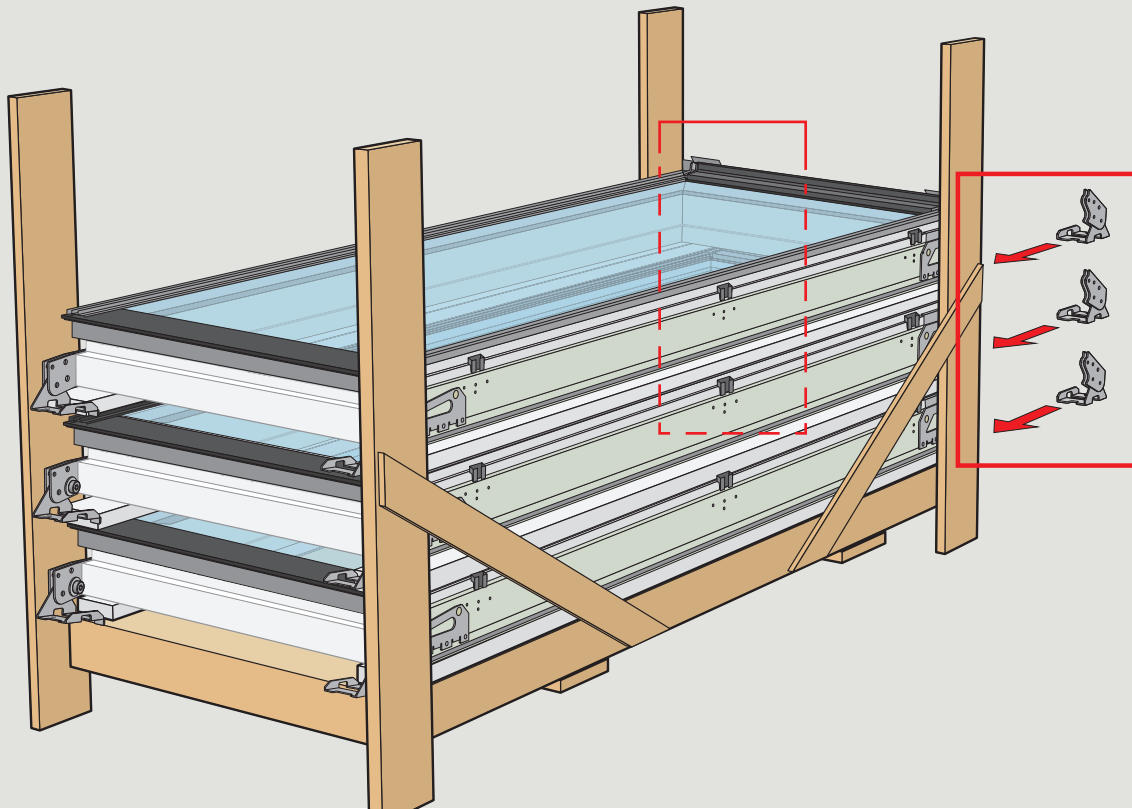
2



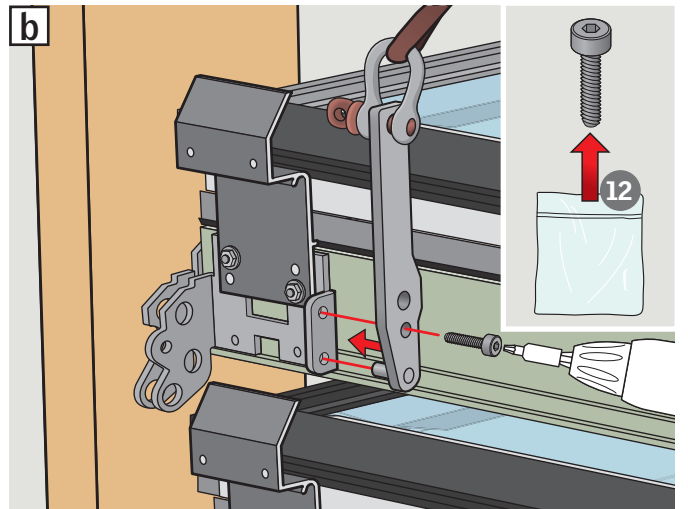
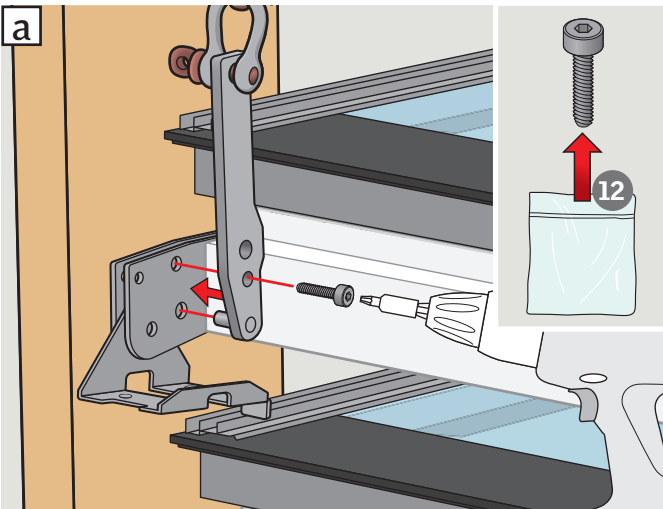
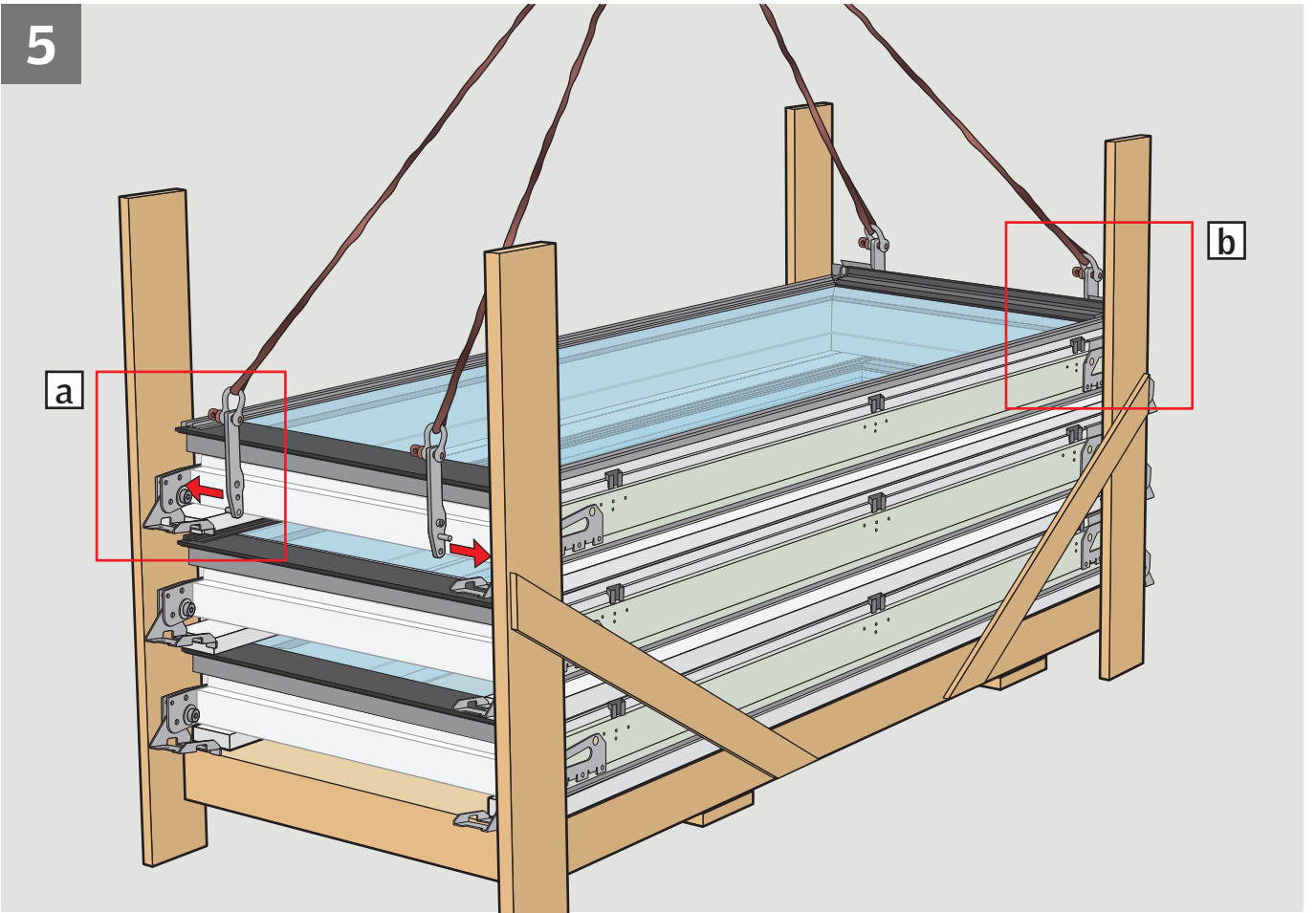
3



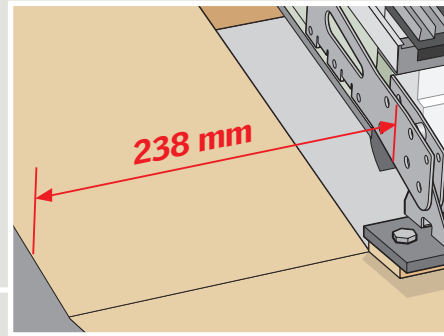
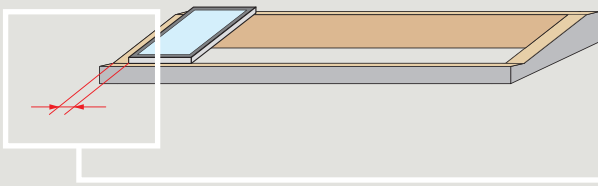
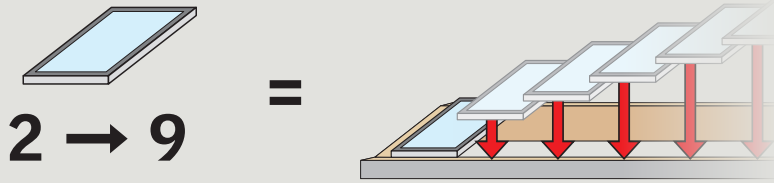
4



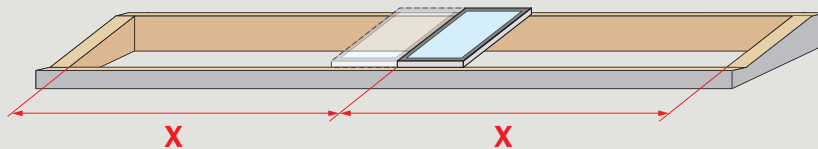
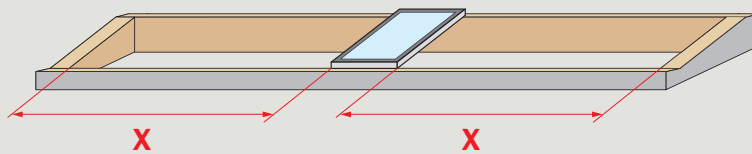
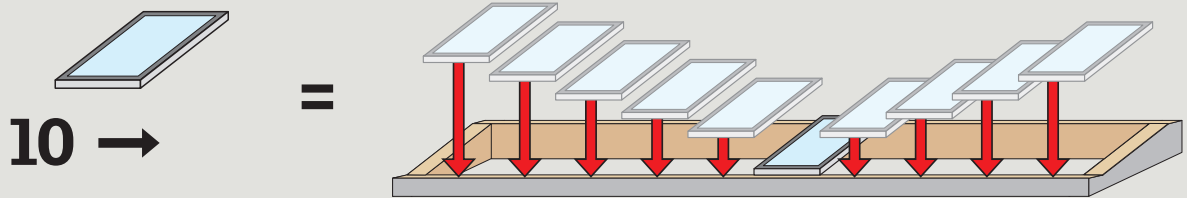
5



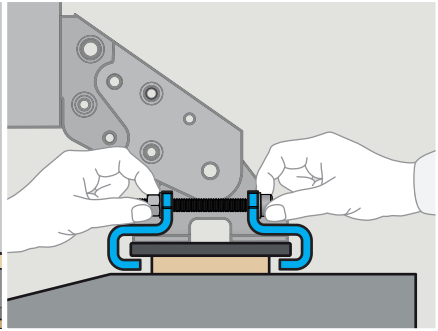
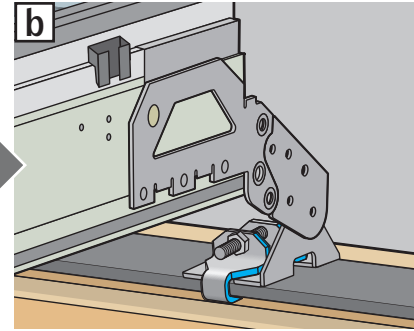
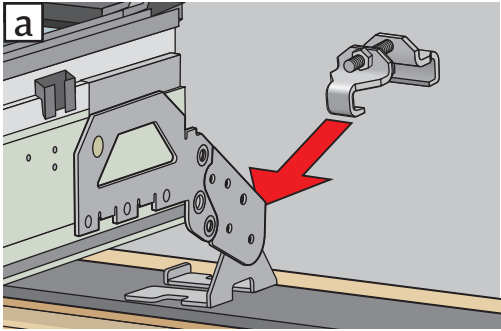
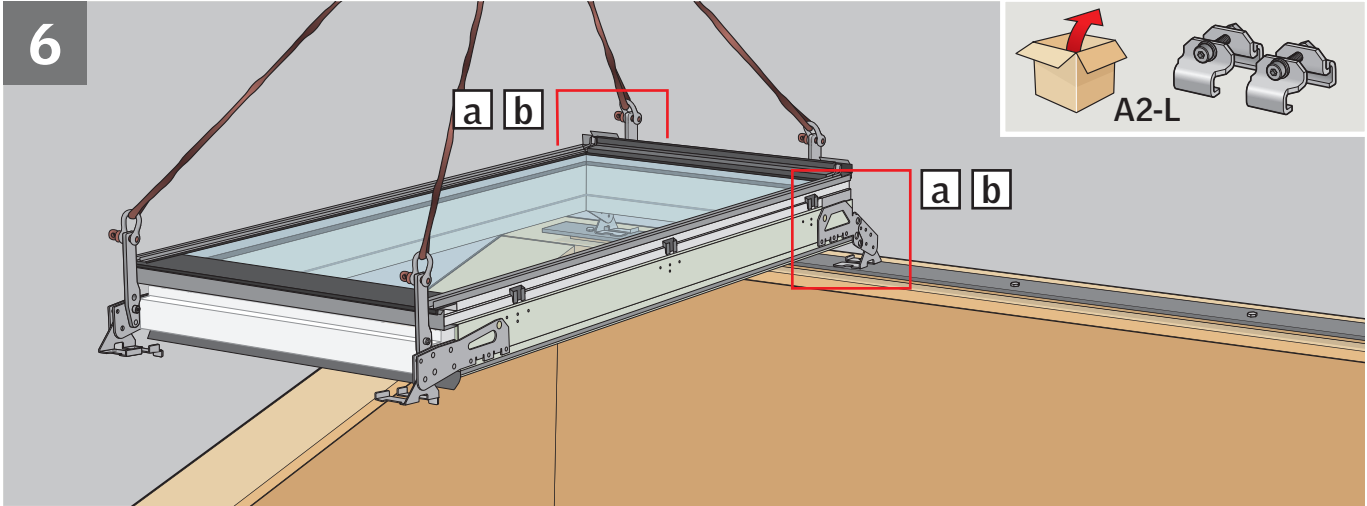
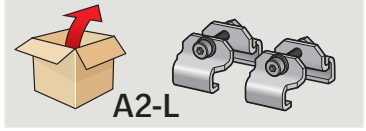
5a



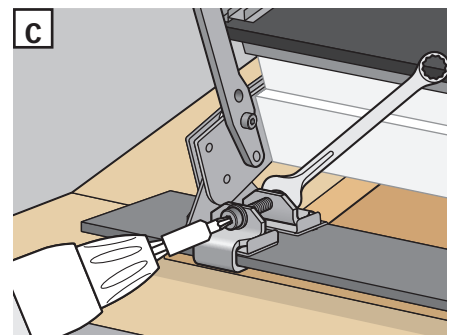
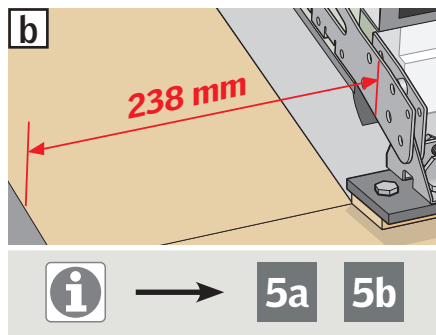
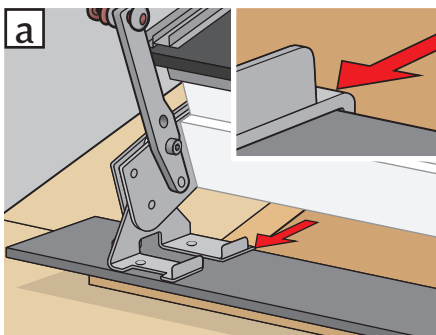
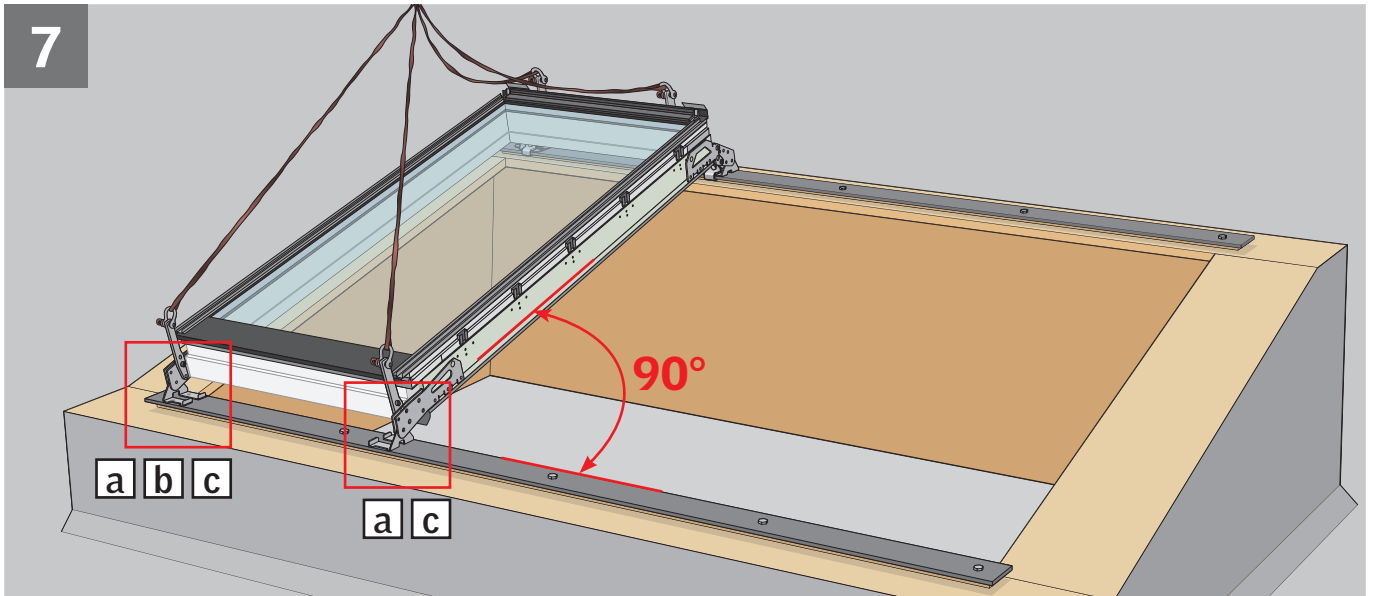
5b



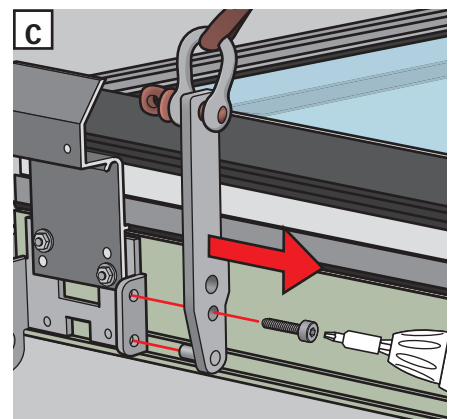
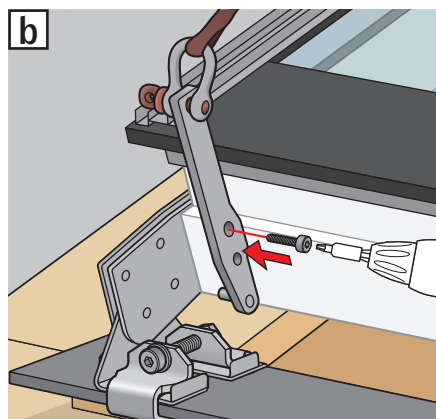
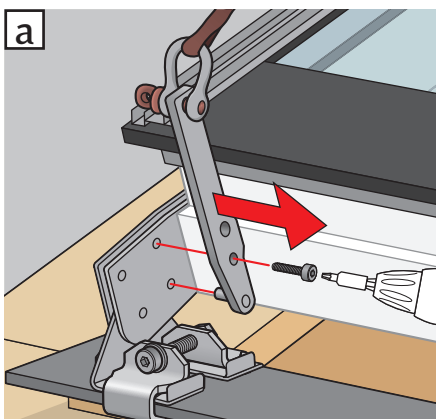
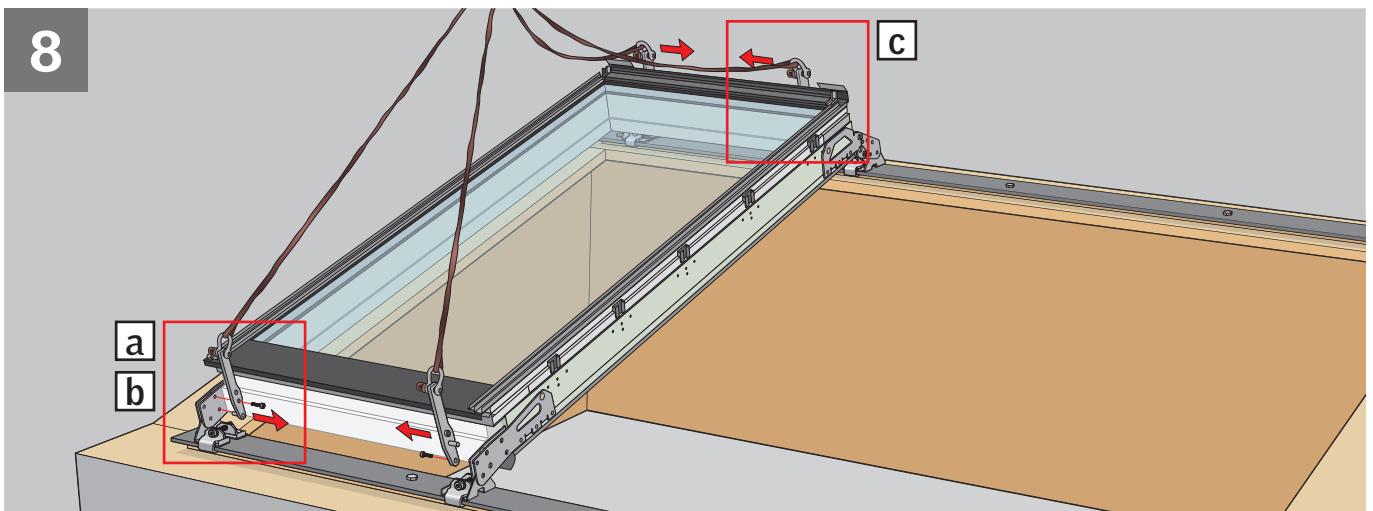
6



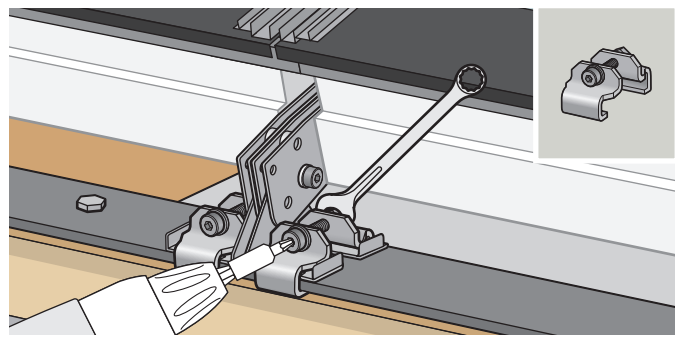
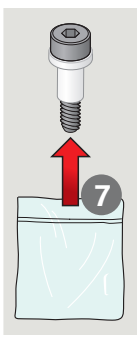
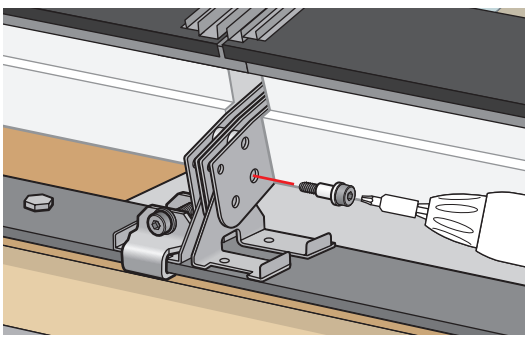
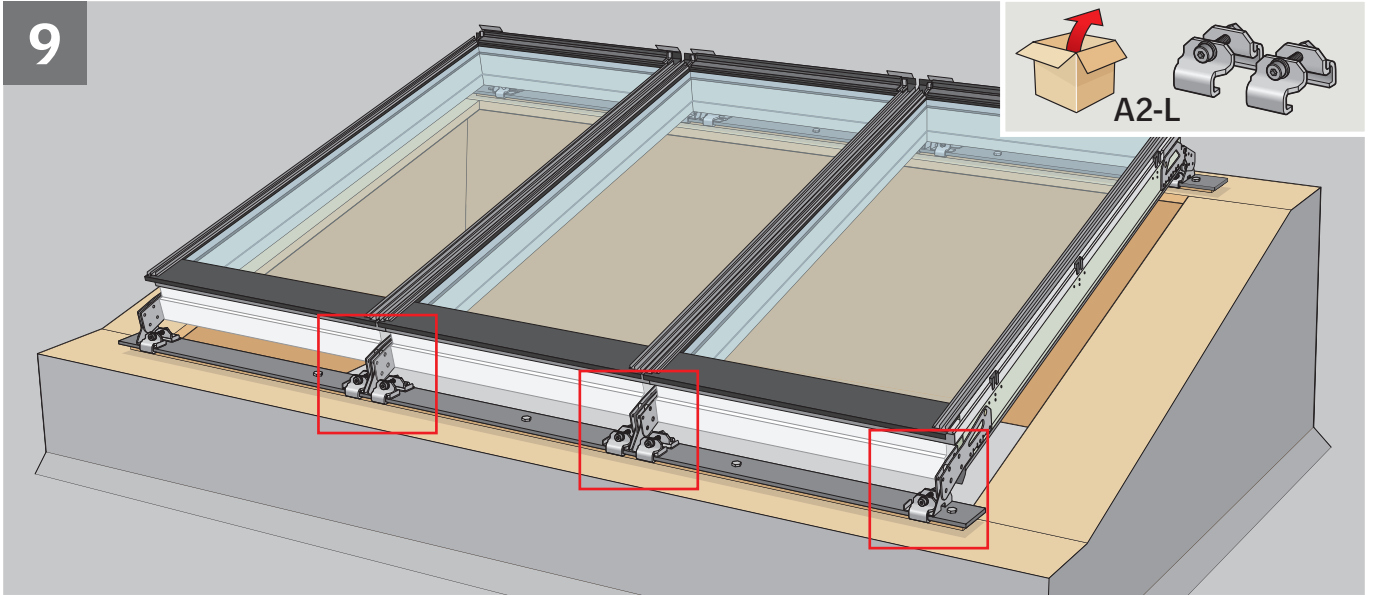
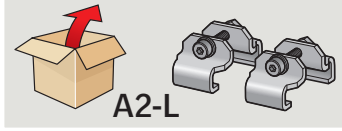
7



8

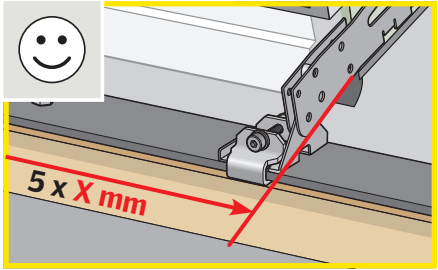
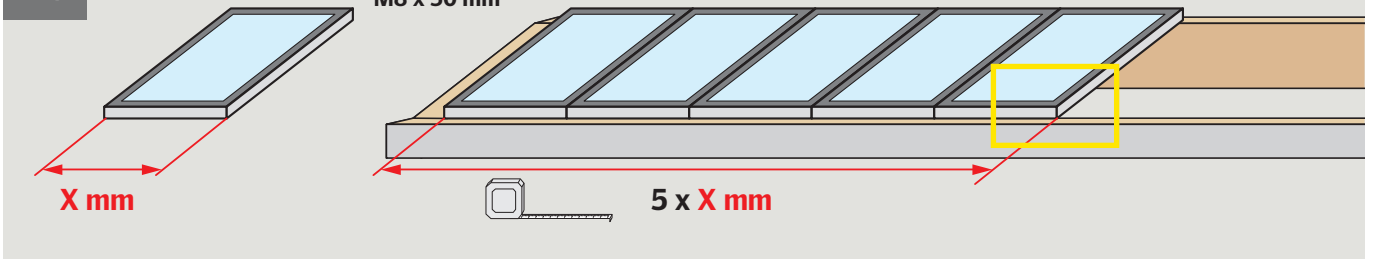


9

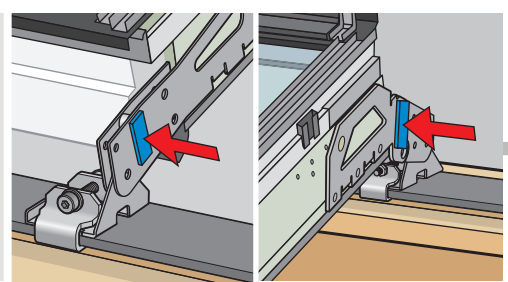
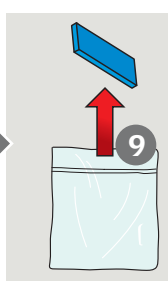
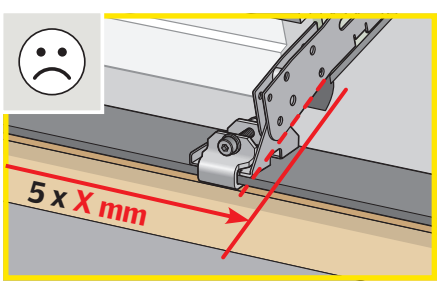


10

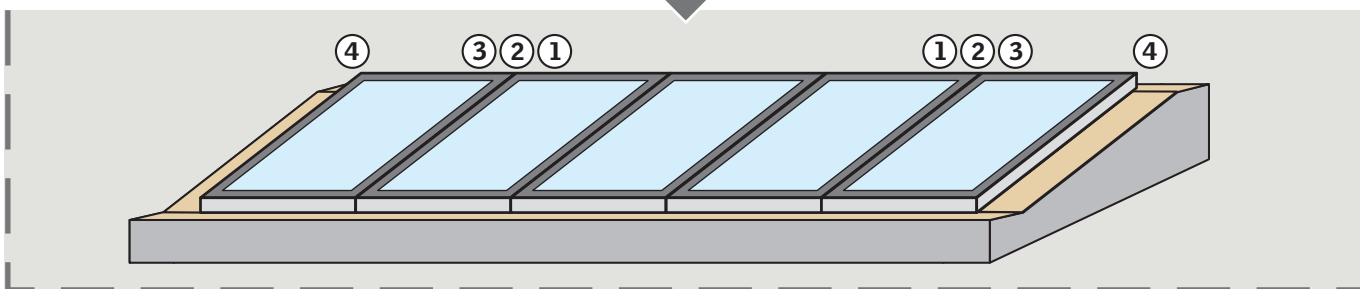
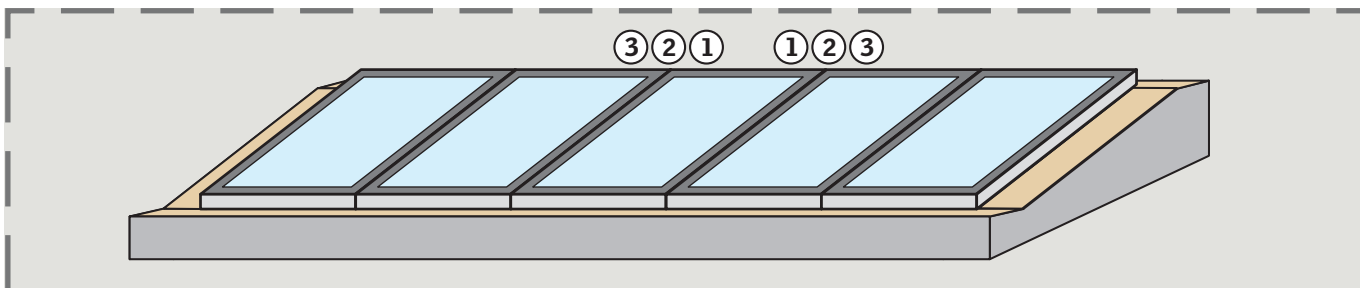
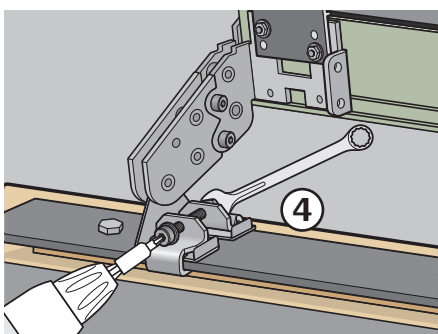
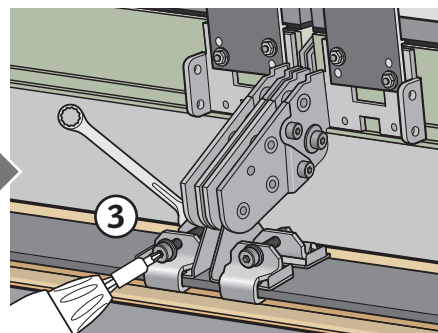
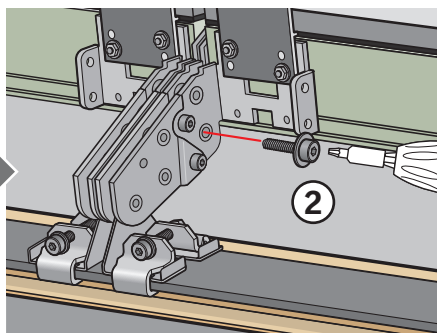
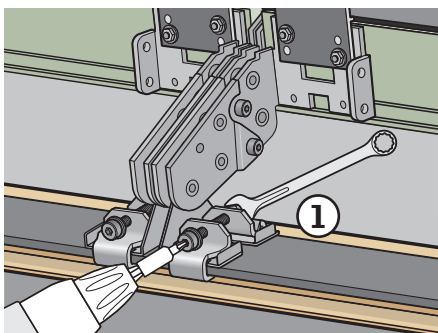
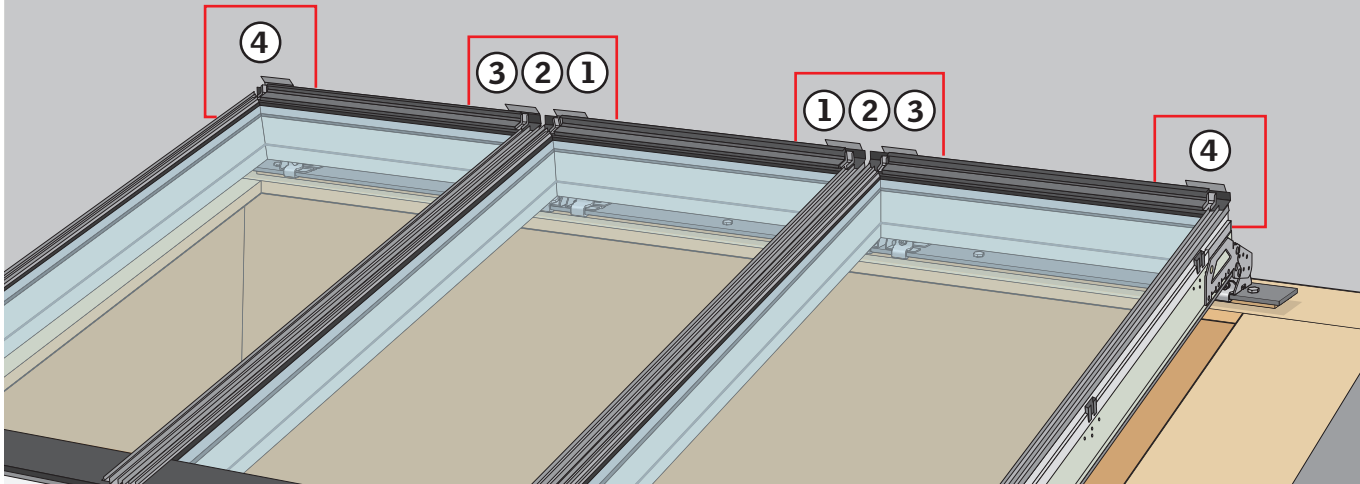
M8 x 30 mm



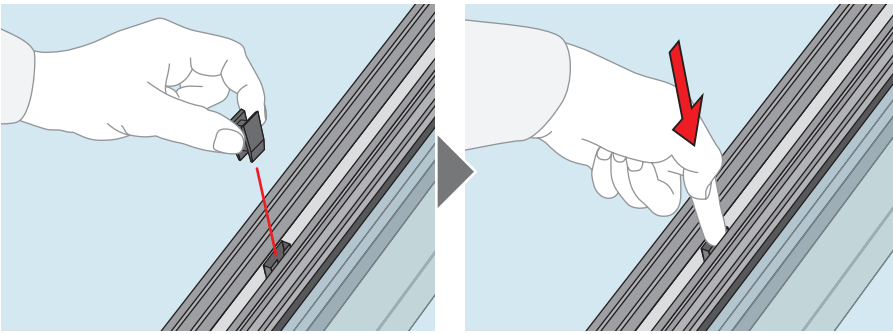
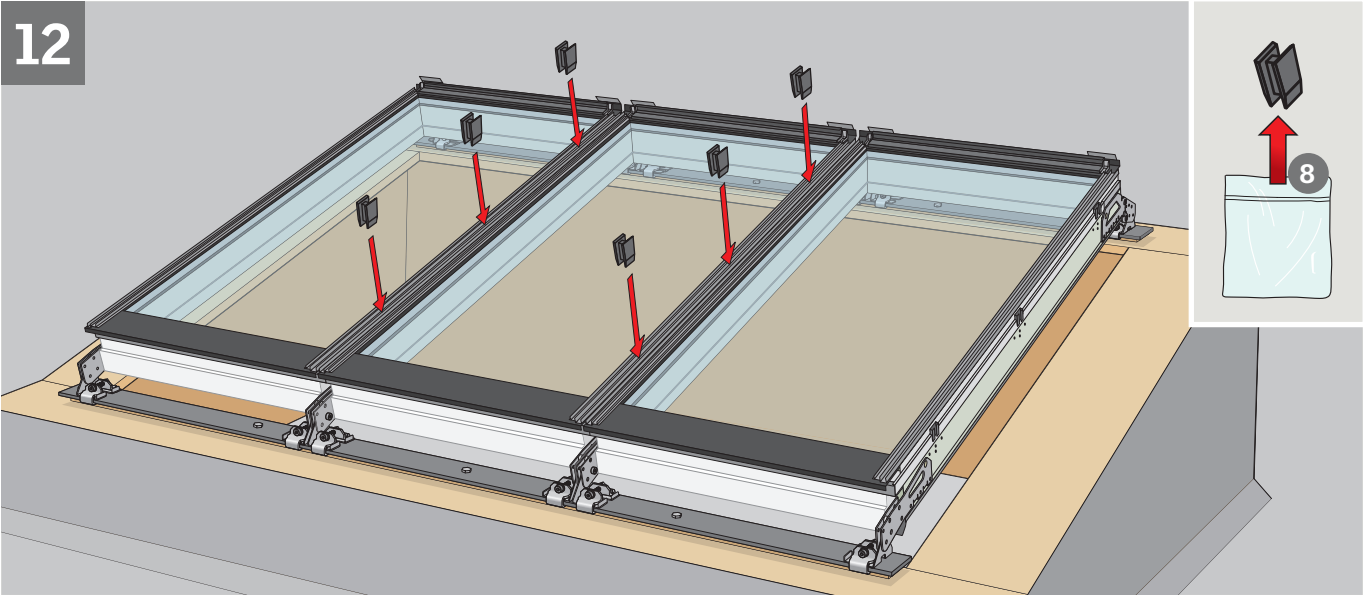
10



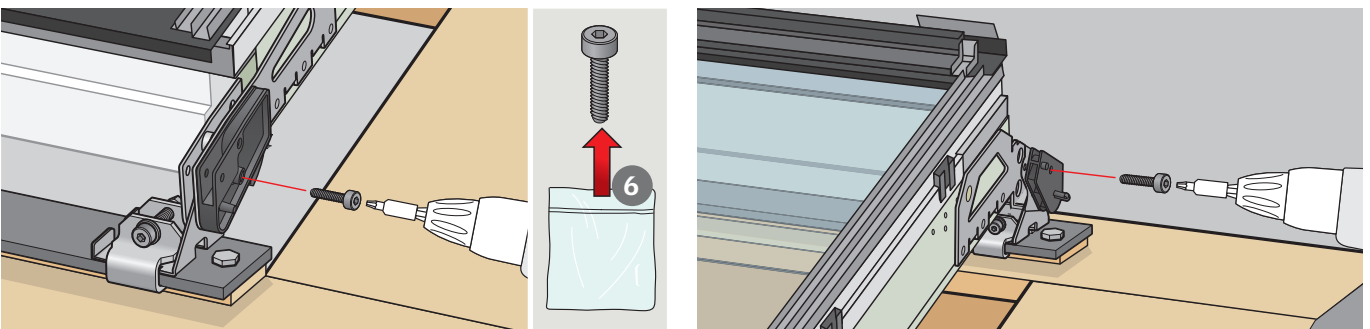
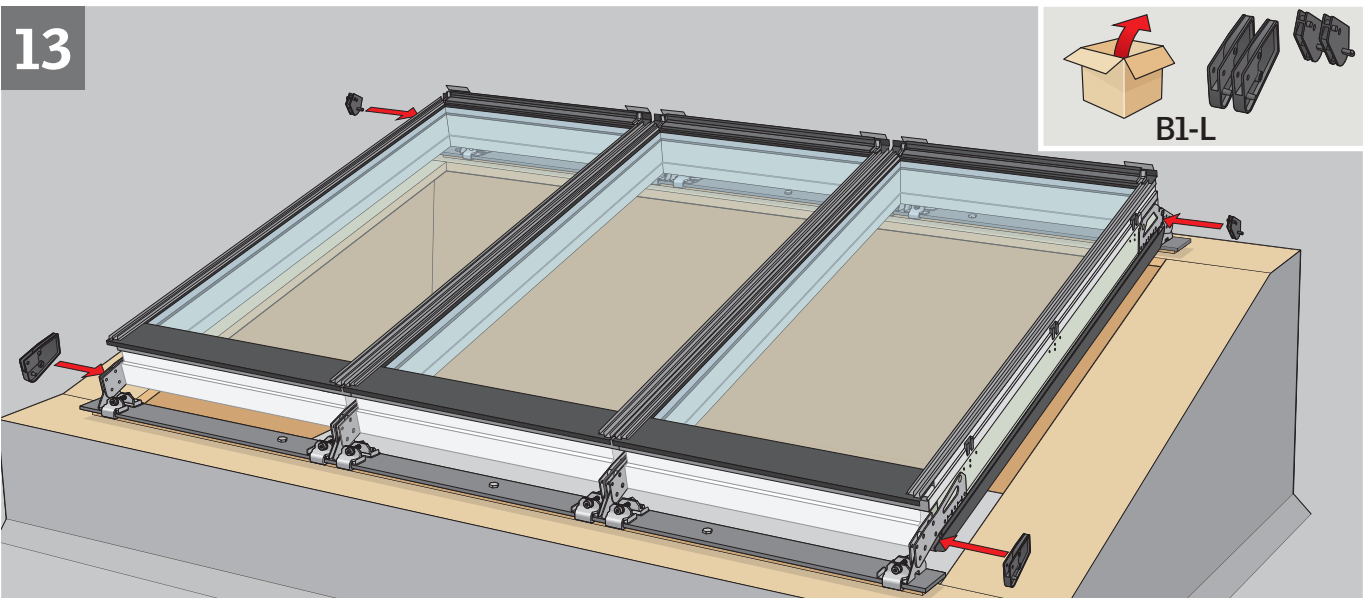
10



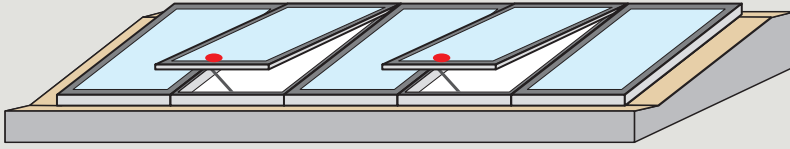
12



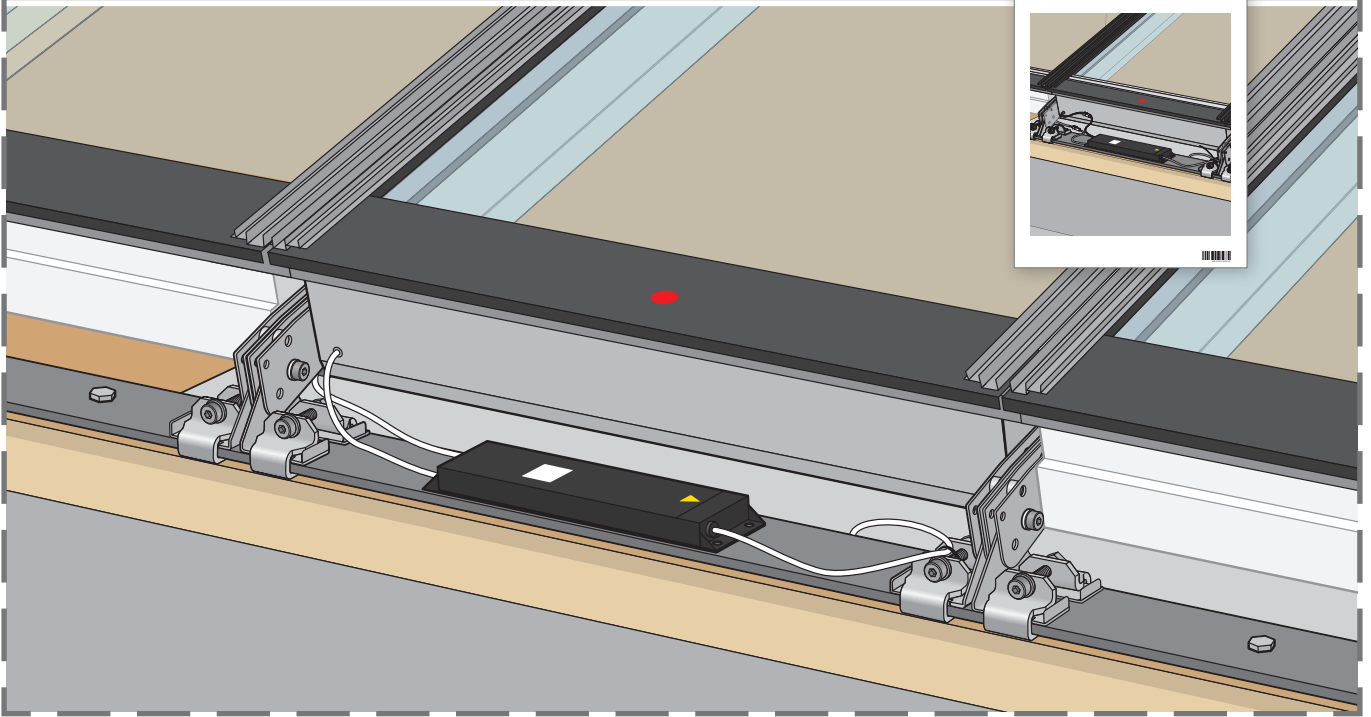
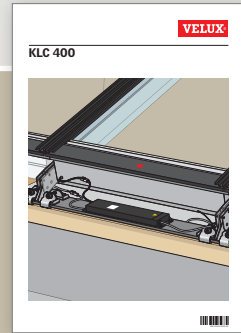
13



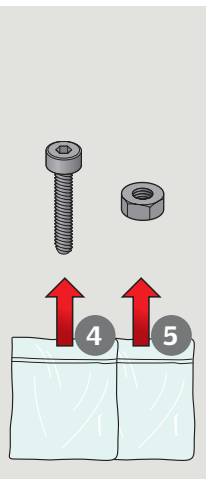
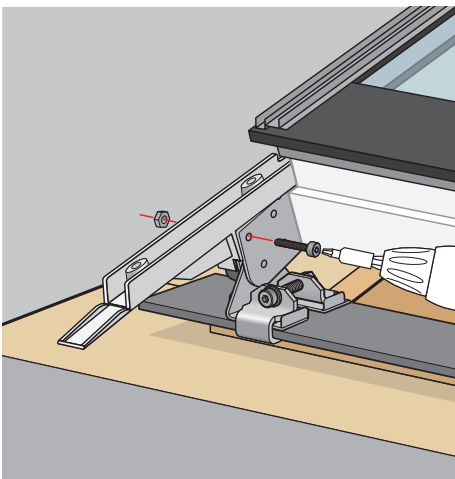
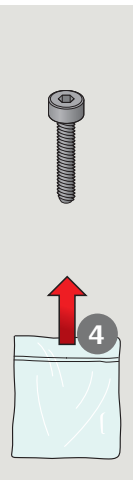
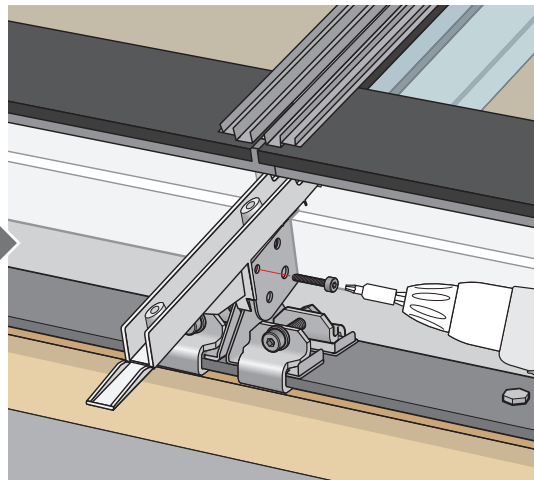
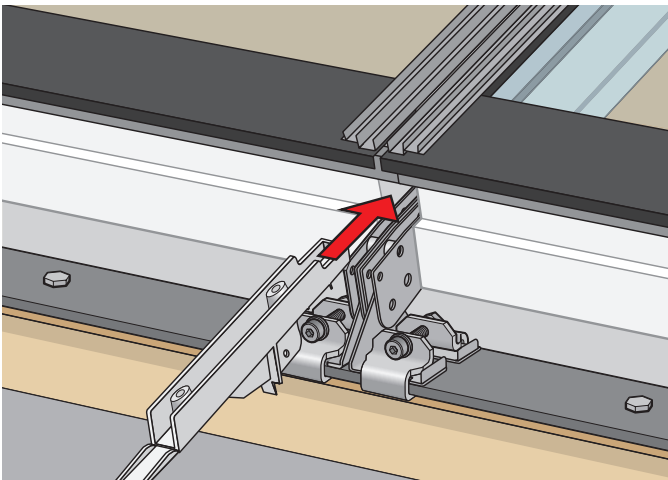
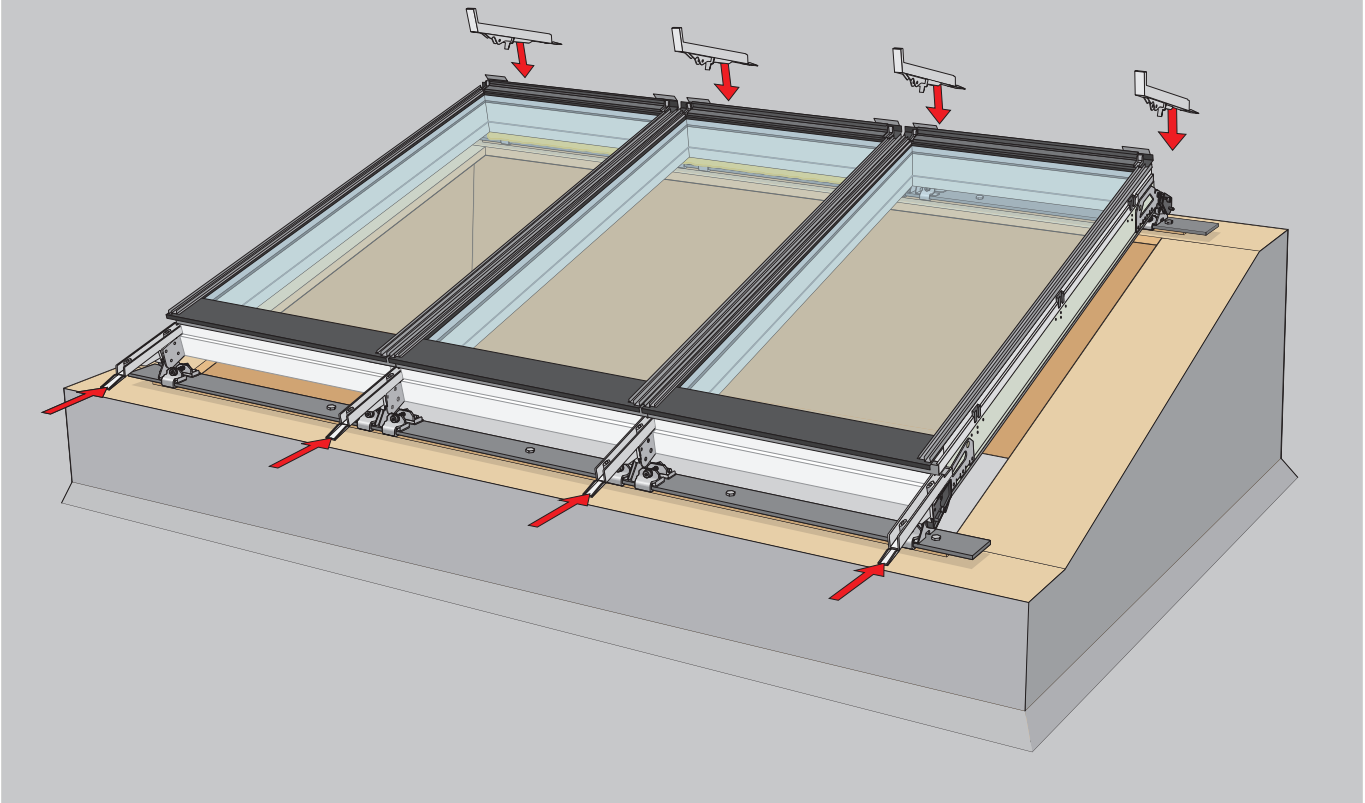
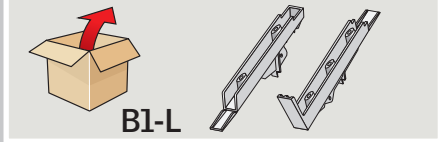
14

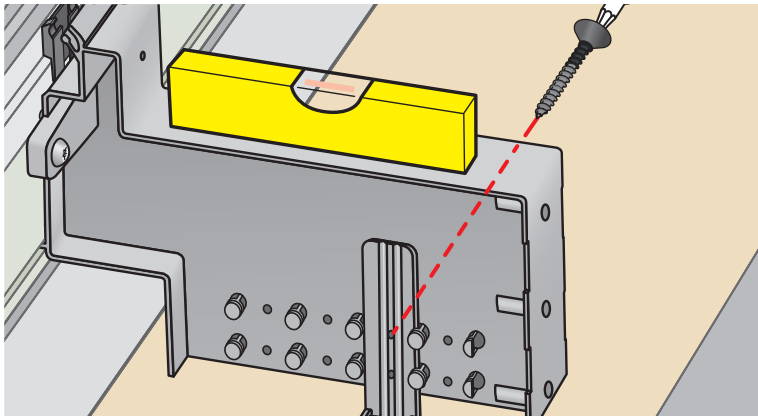
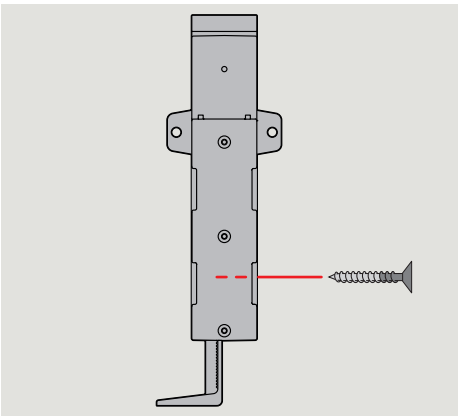
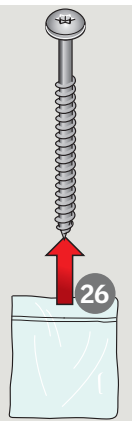
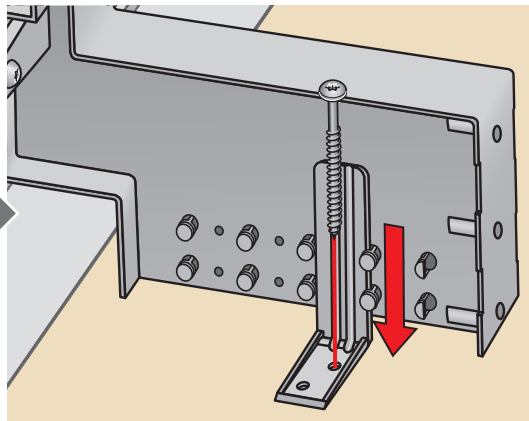
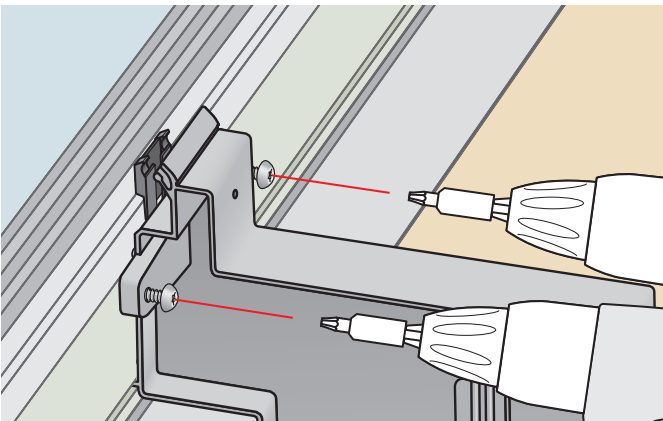
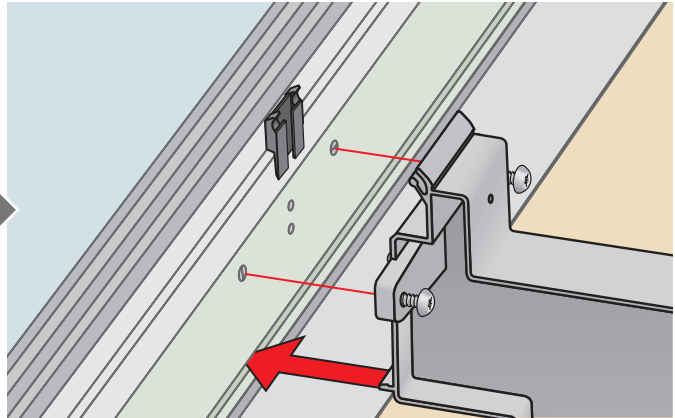
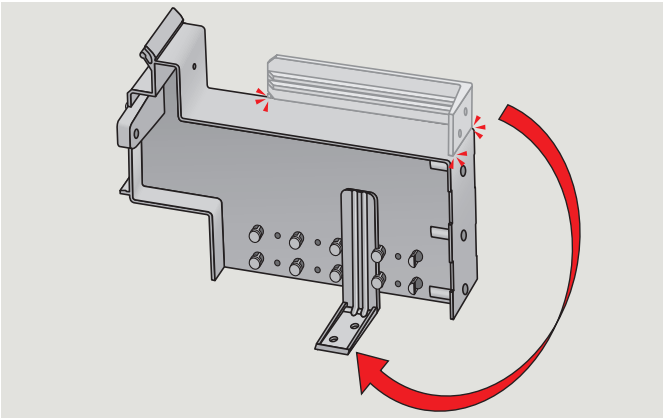
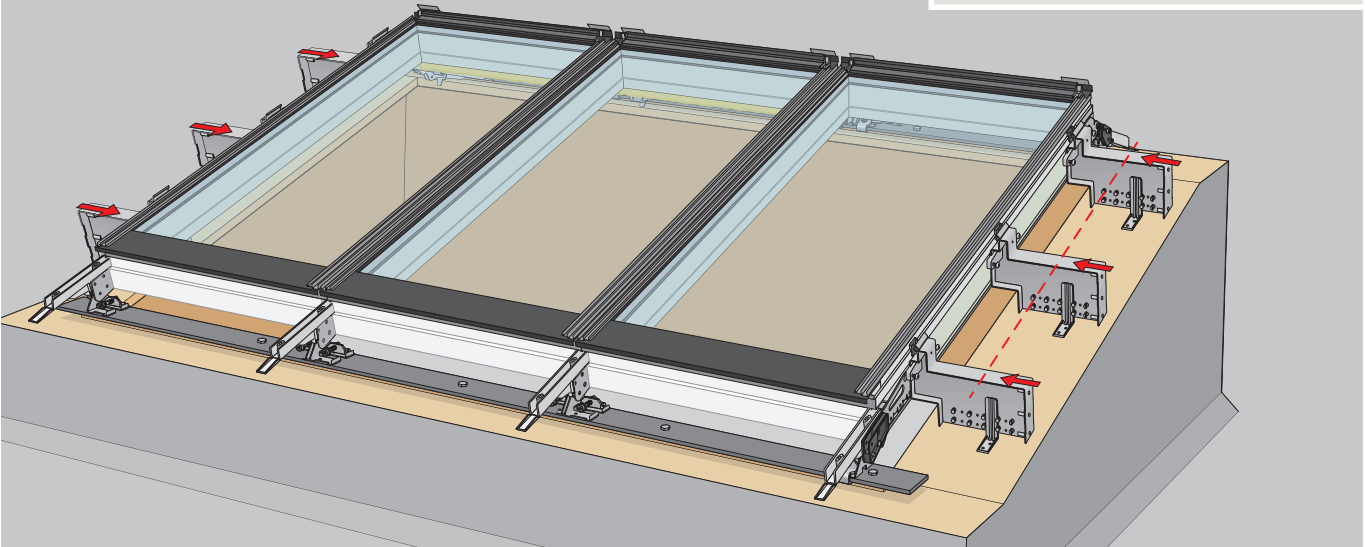
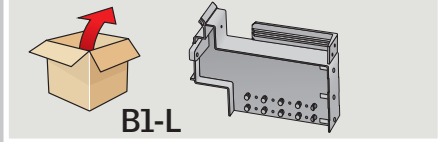


KLC 400

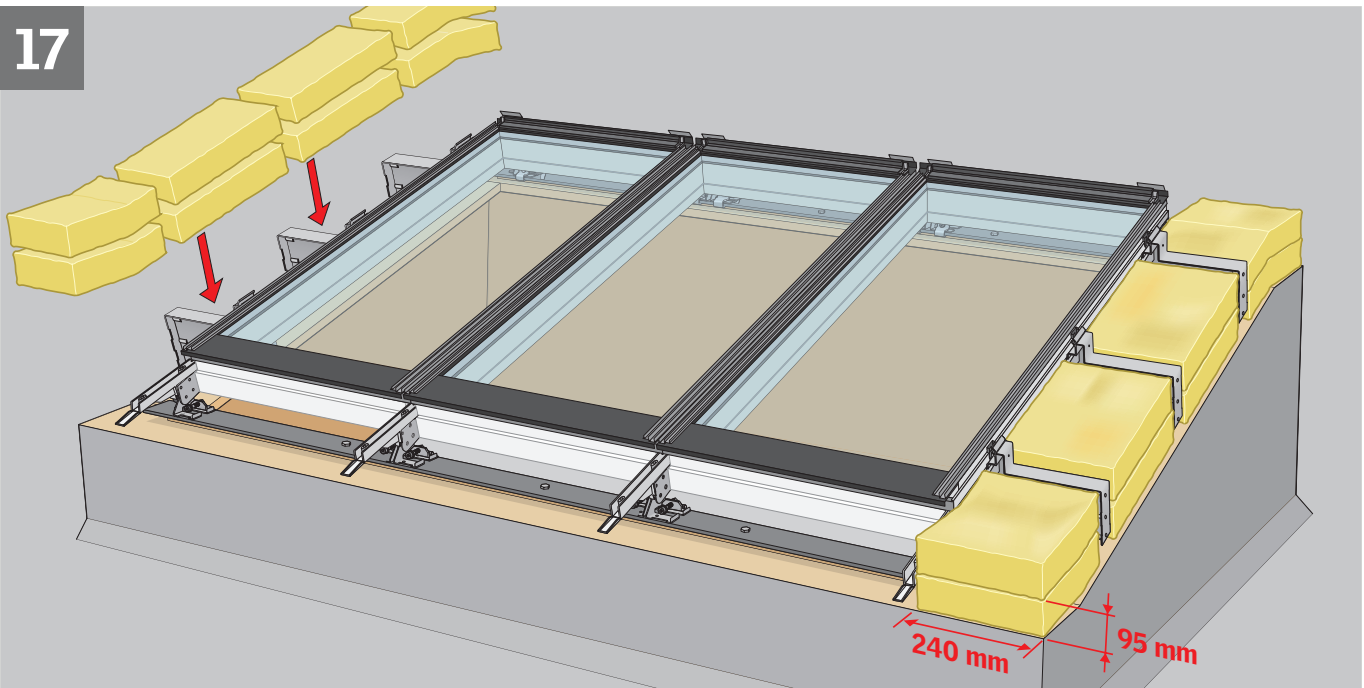


15

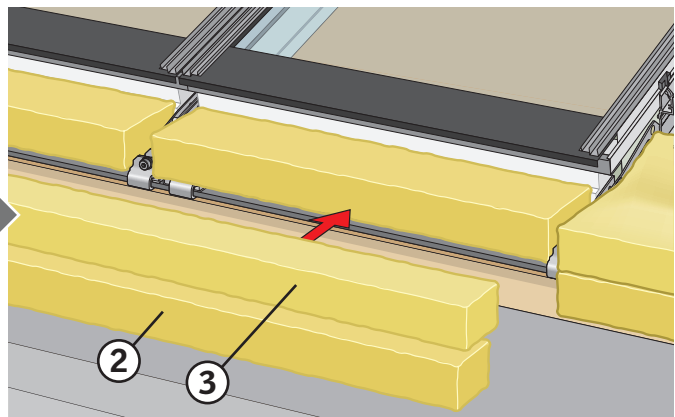
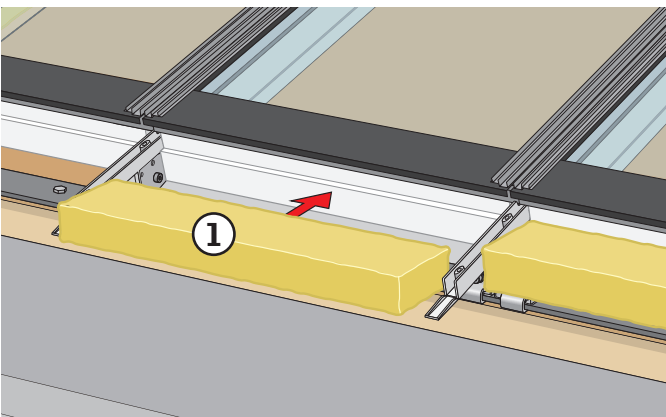
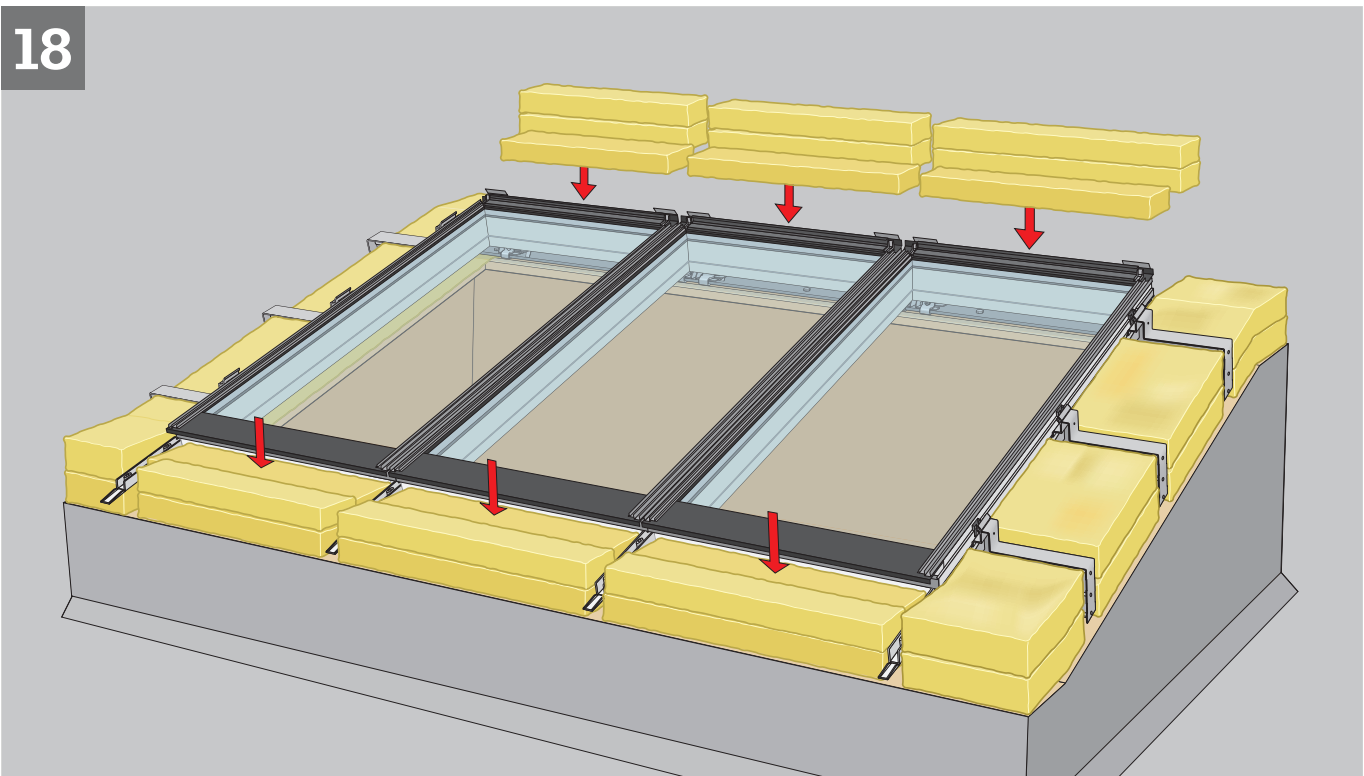


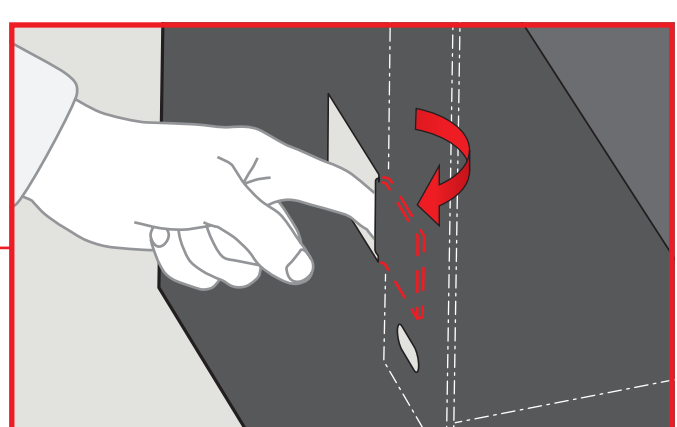
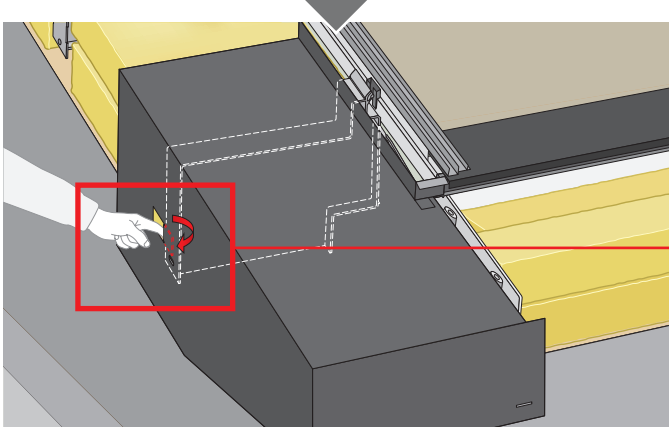
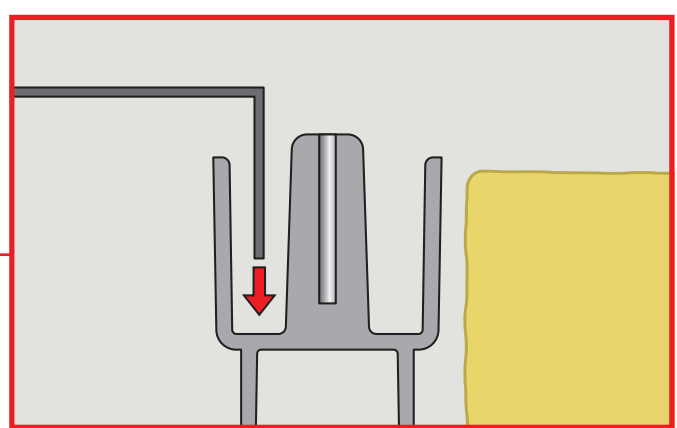
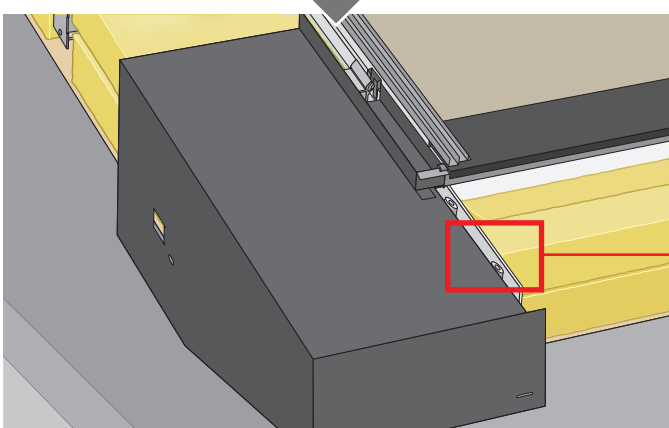
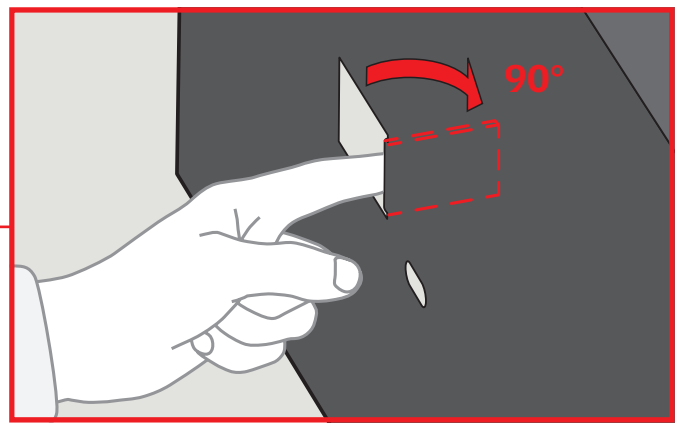
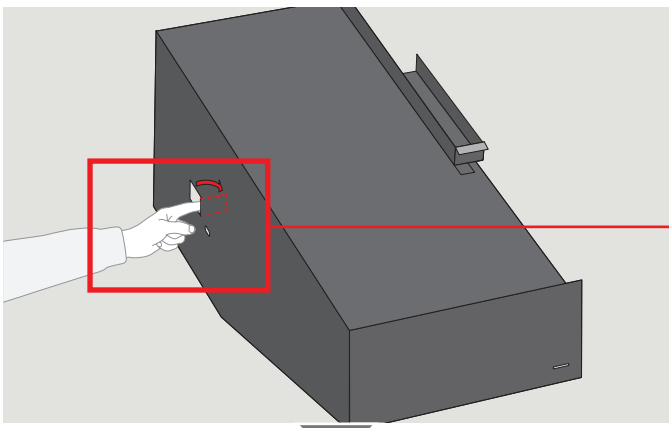
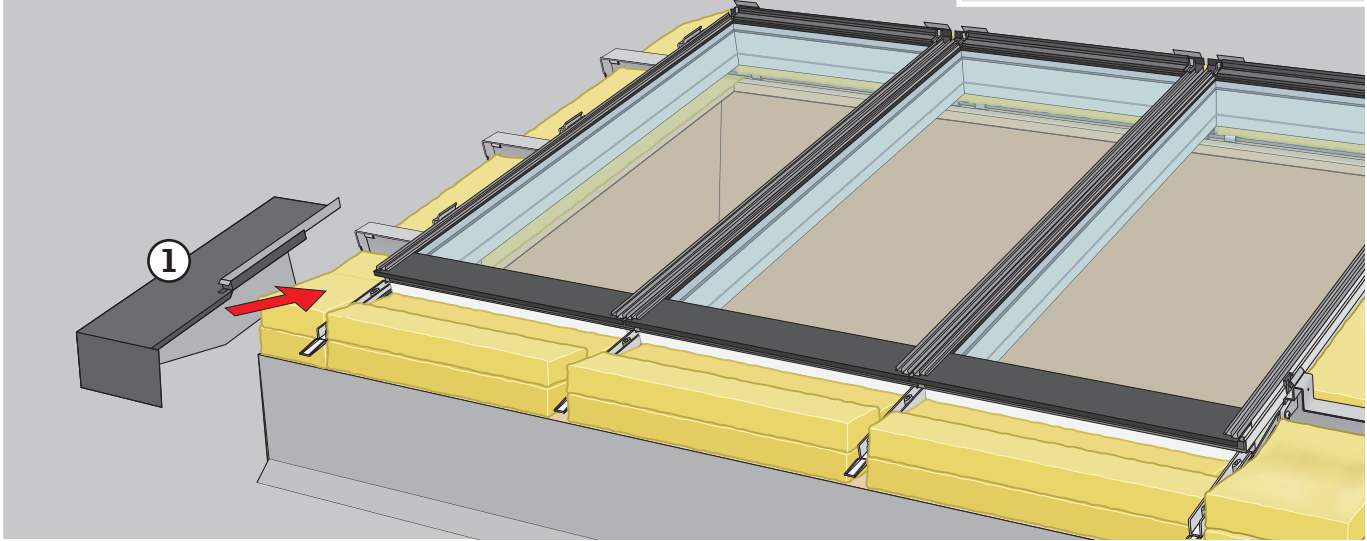
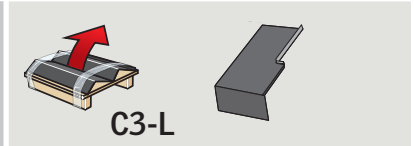


17

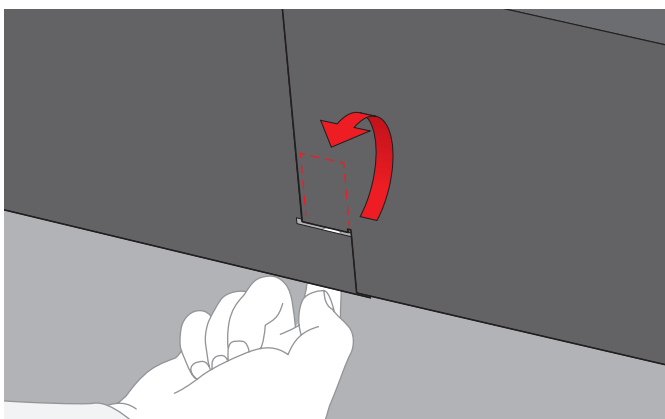
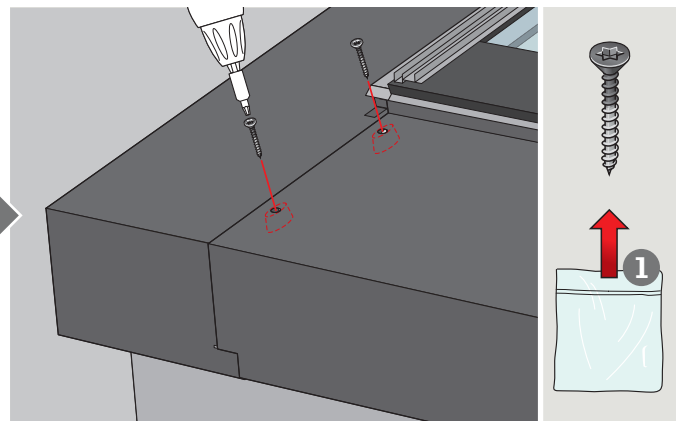
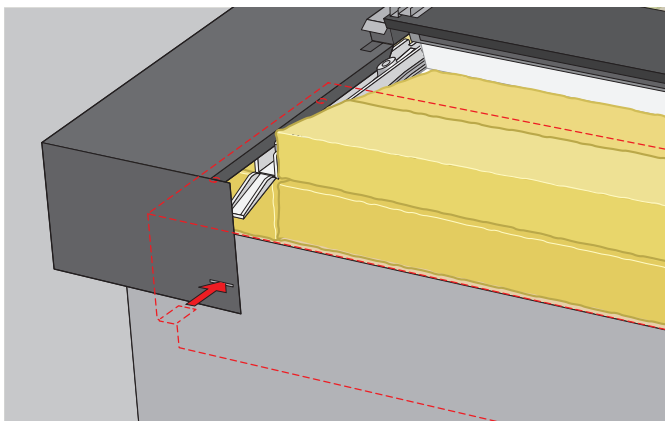
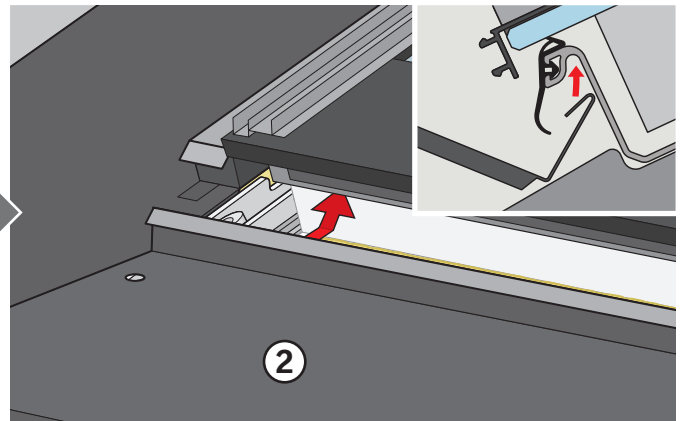
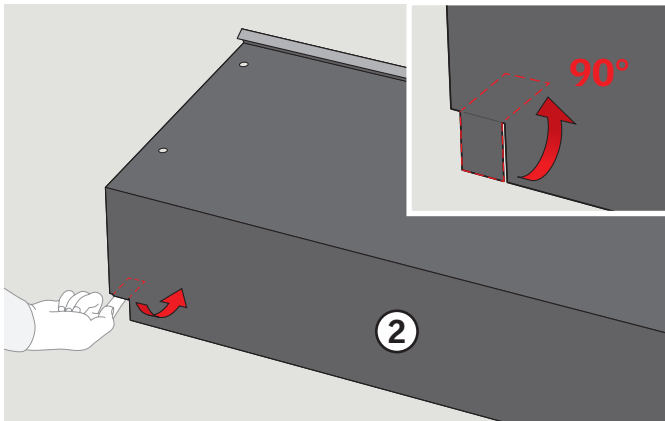
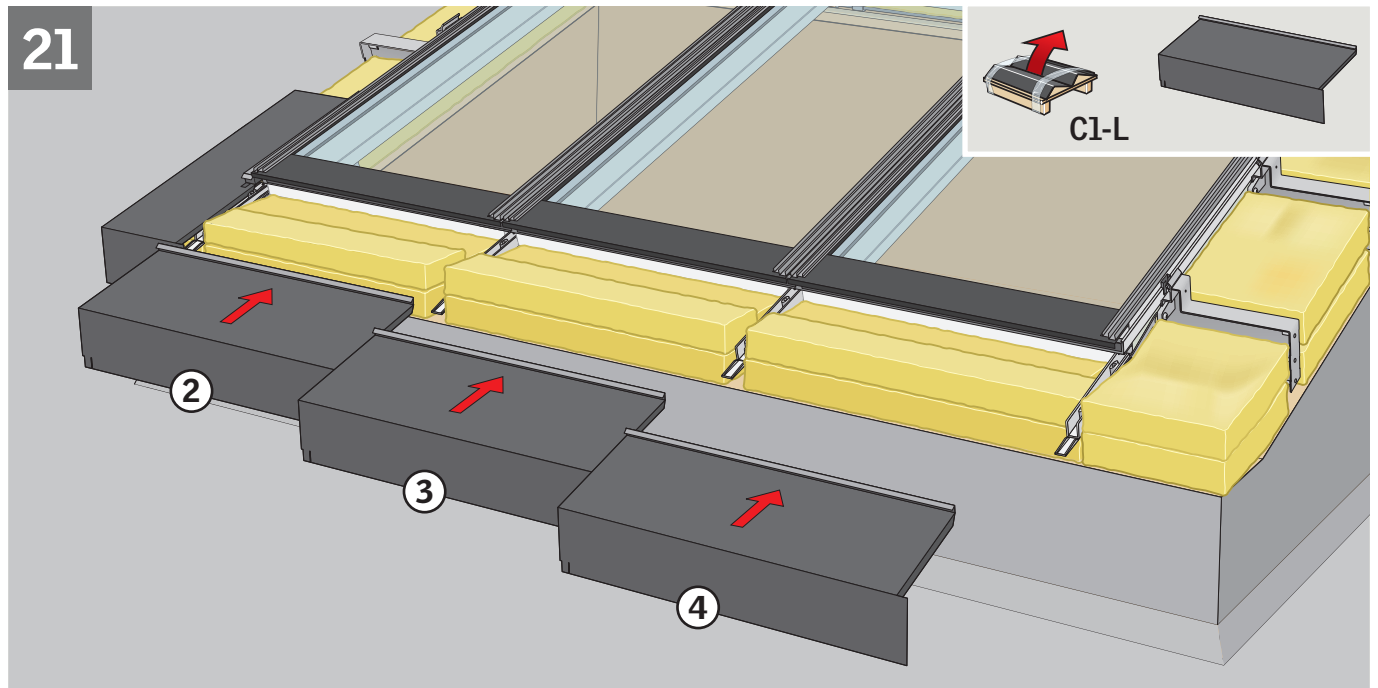


18

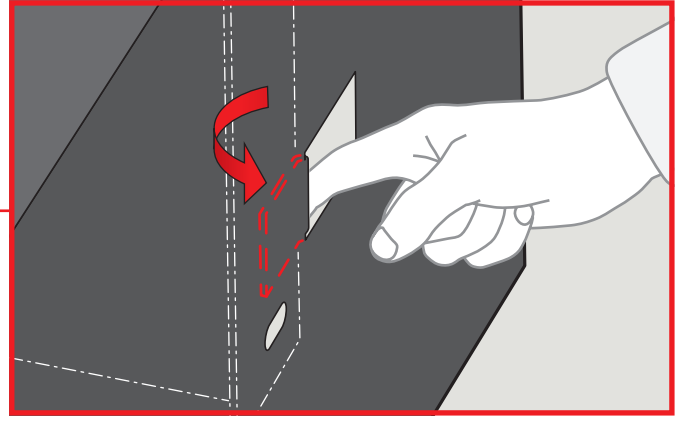
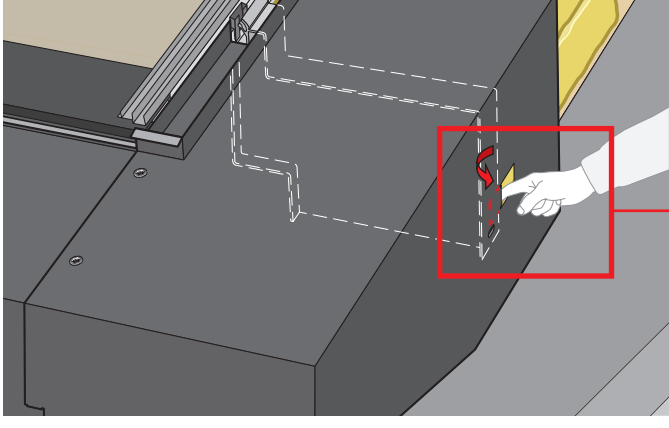
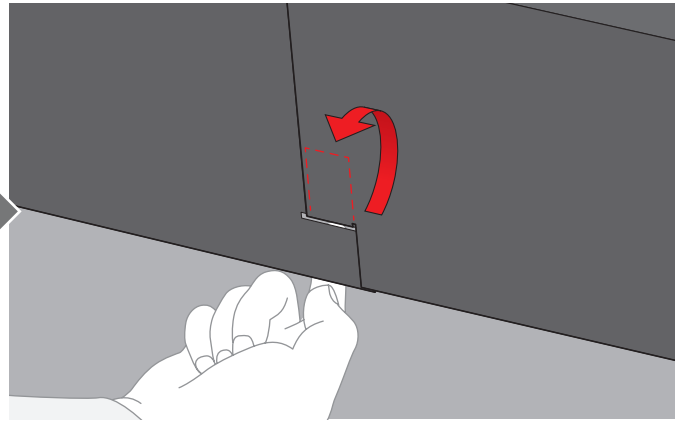
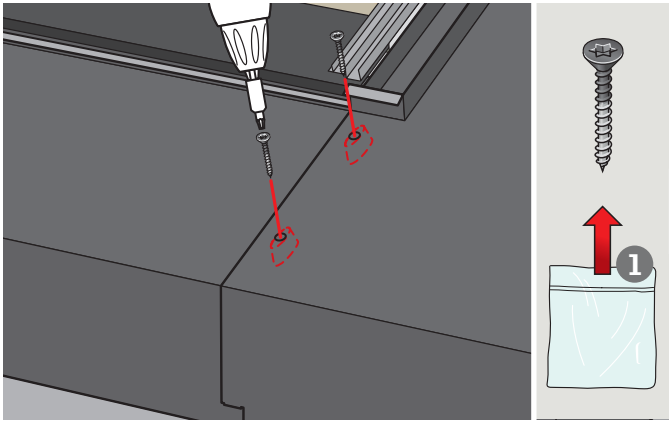
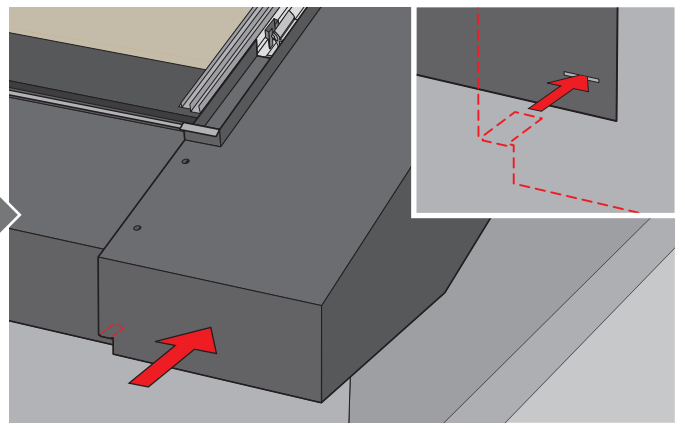
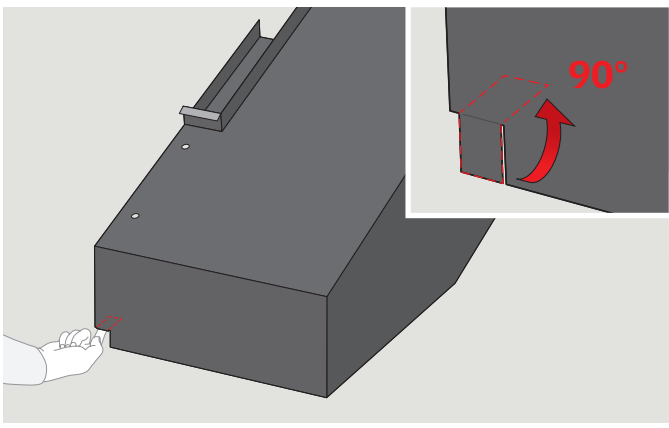
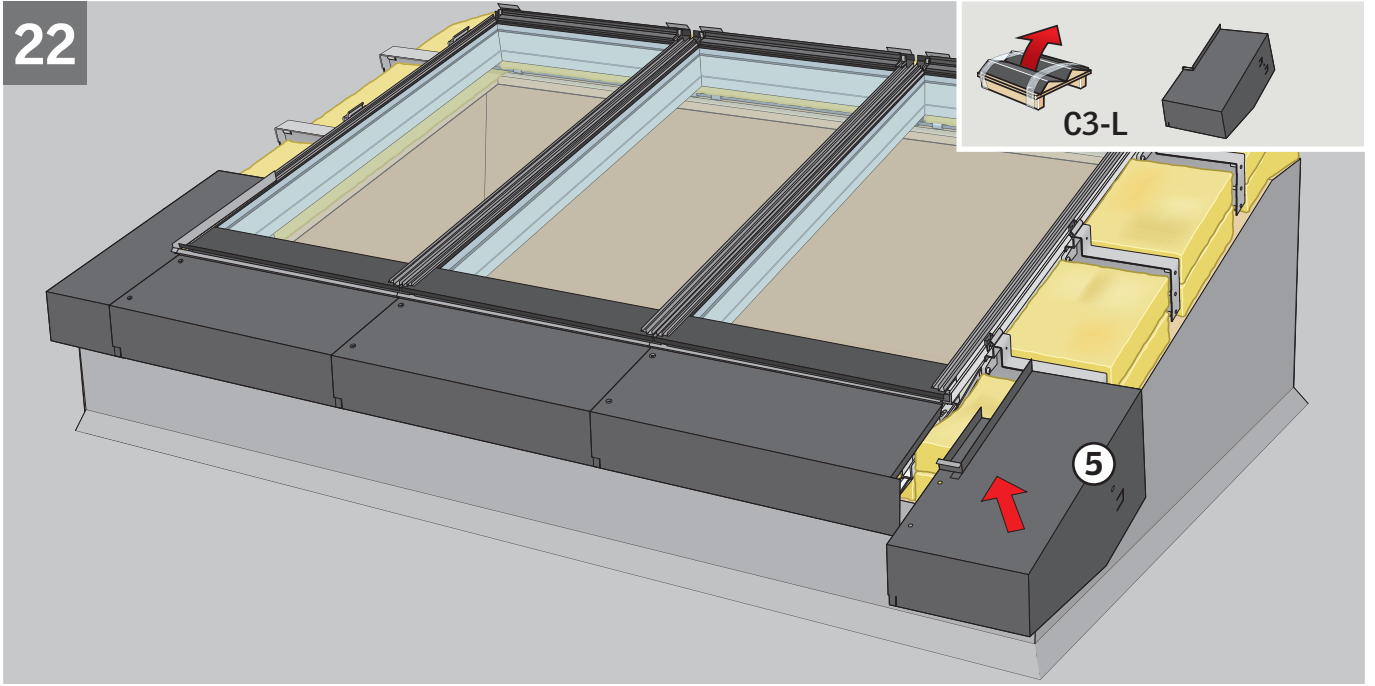


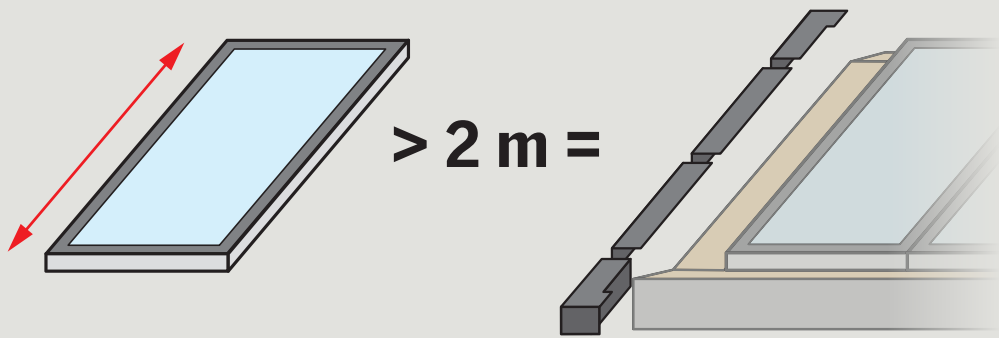
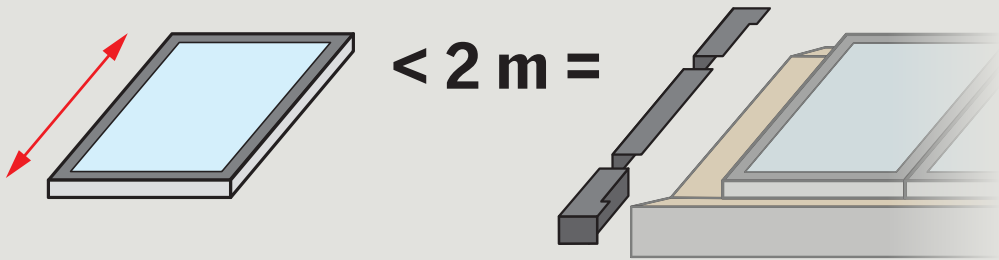


21

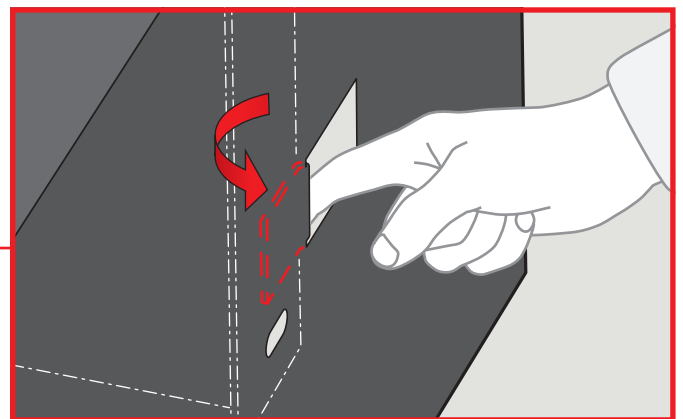
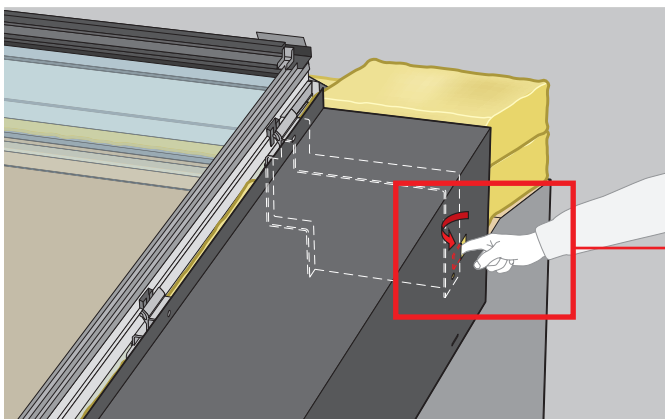
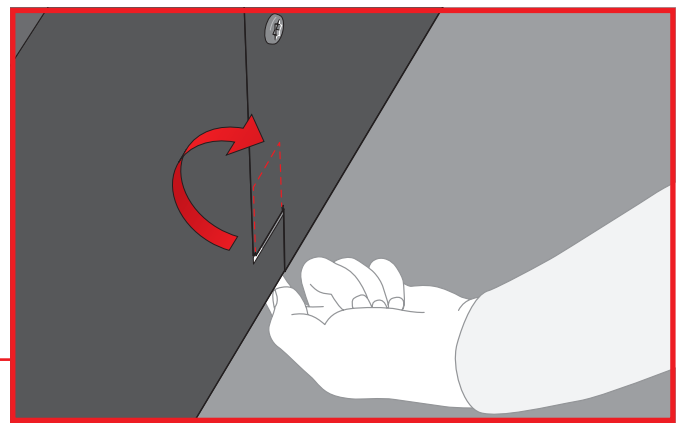
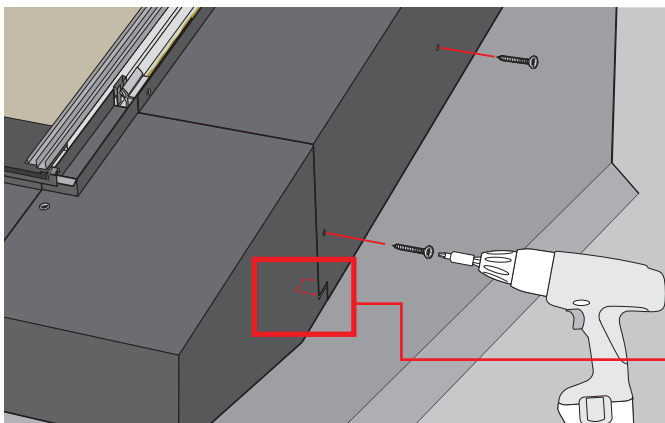
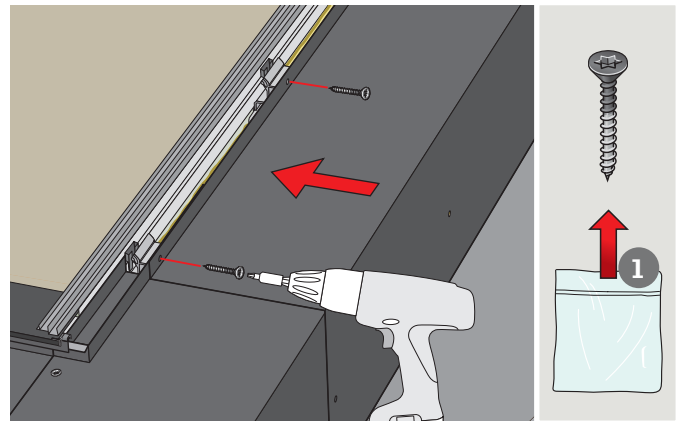
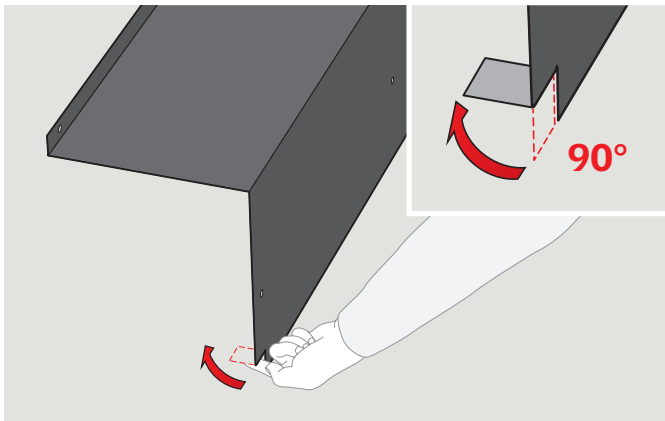
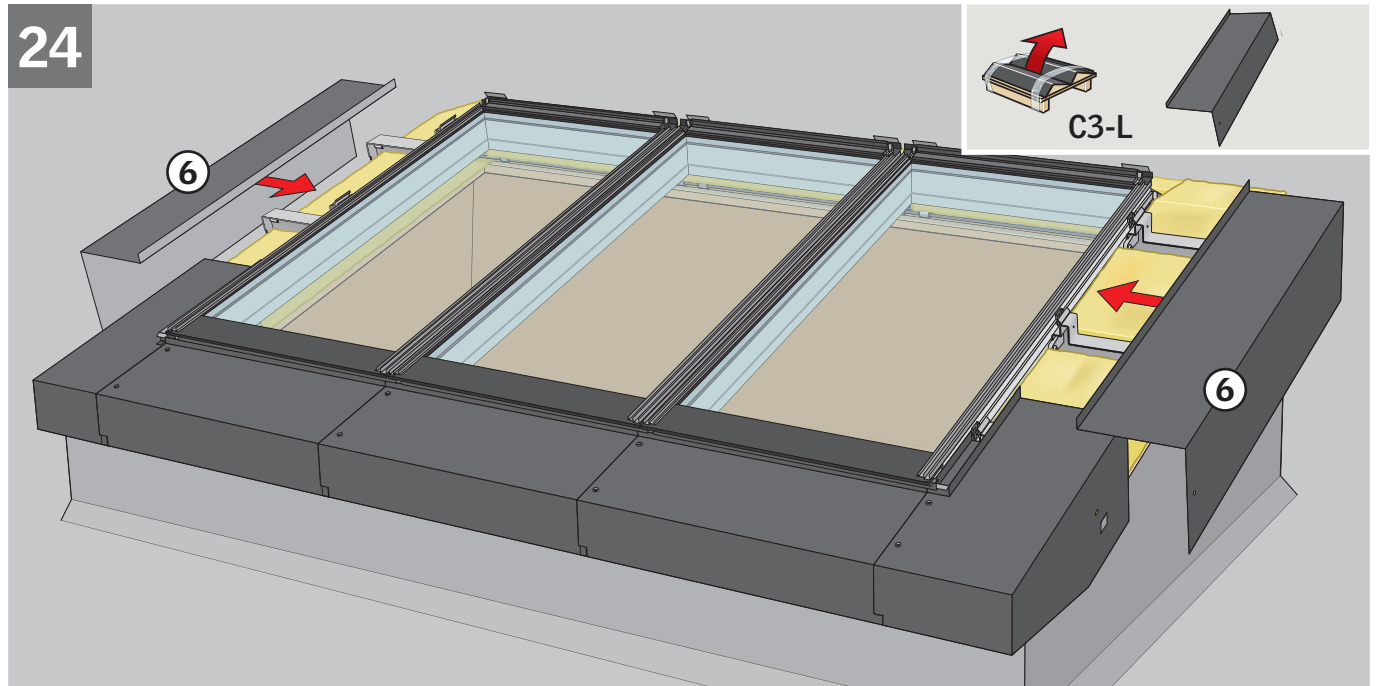


22

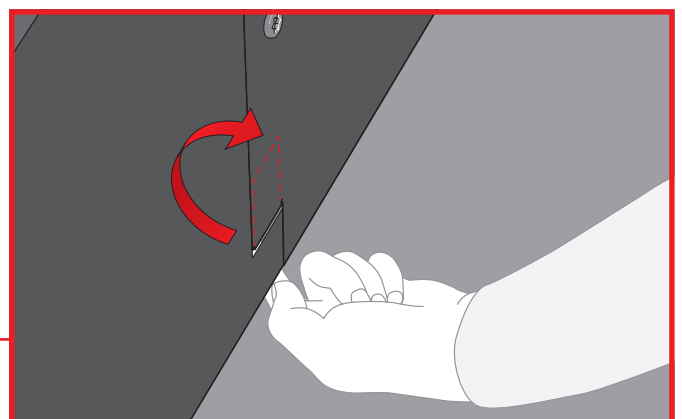
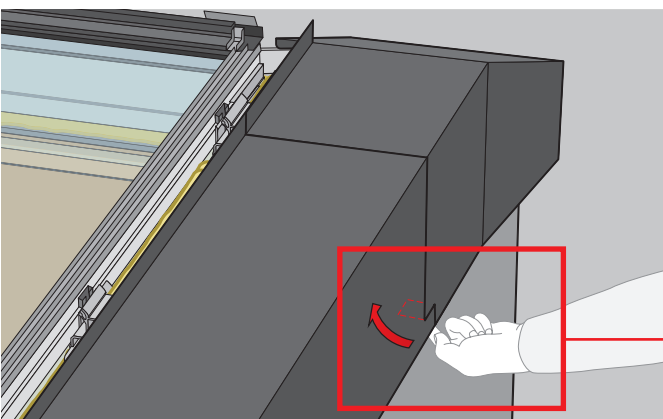
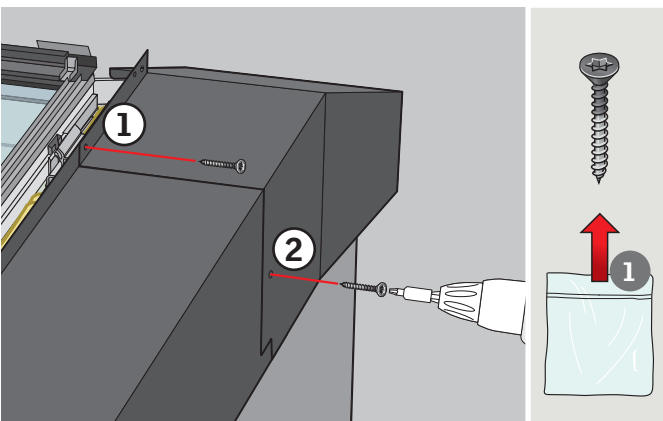
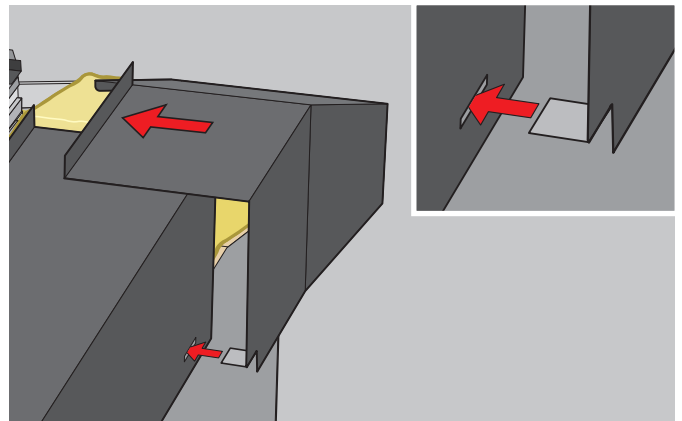
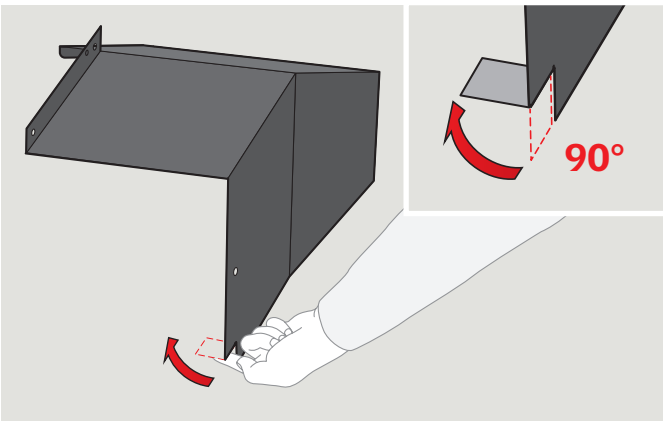
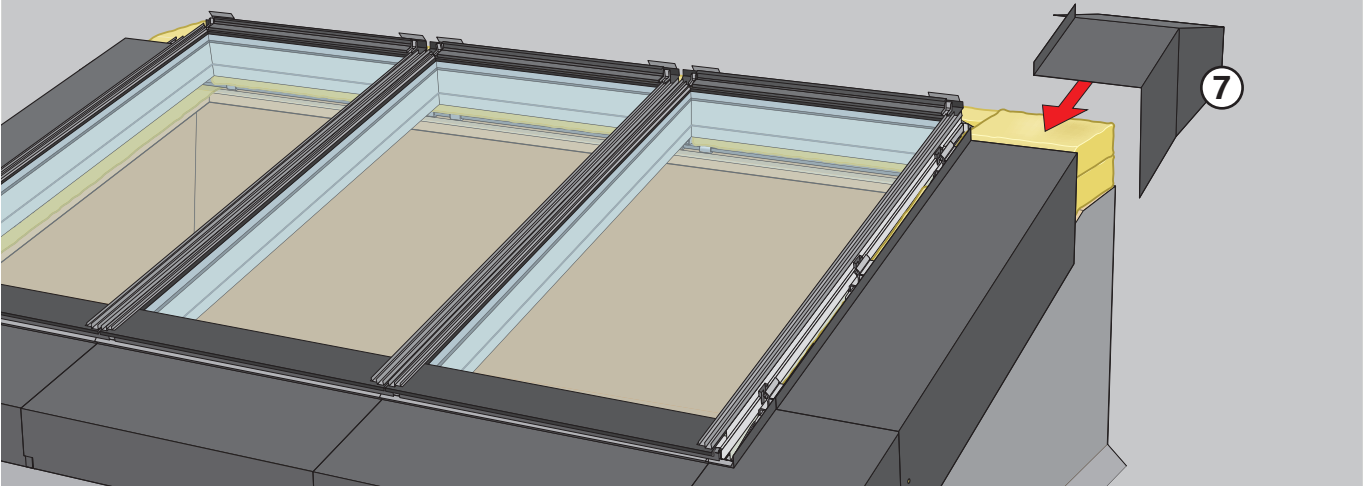
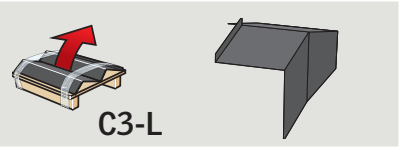


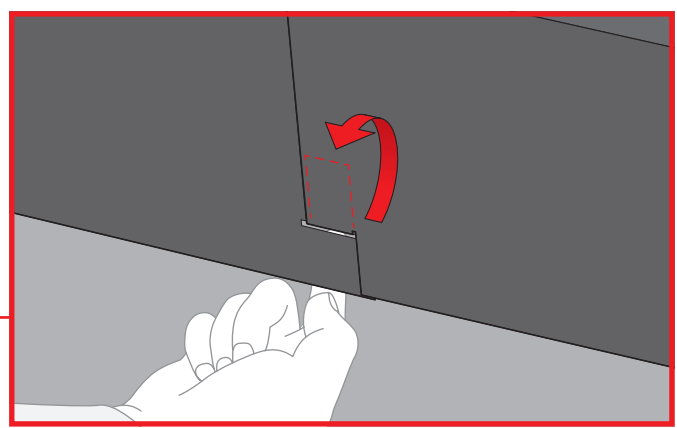
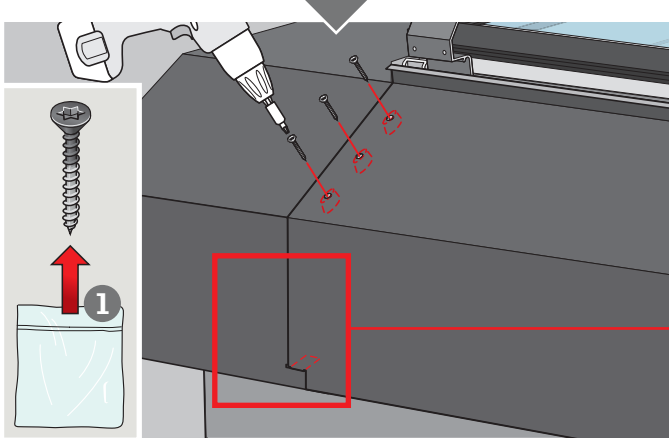
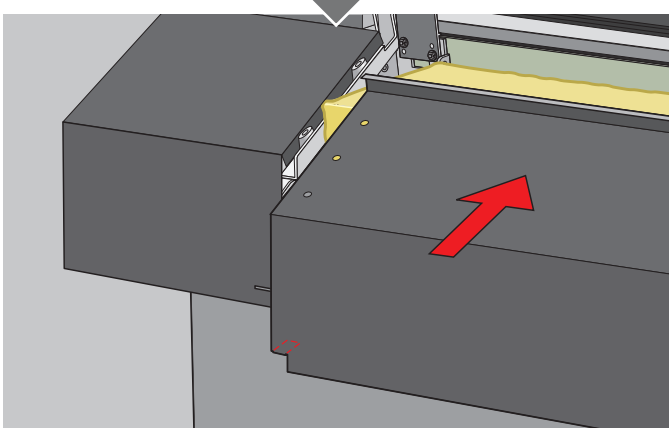
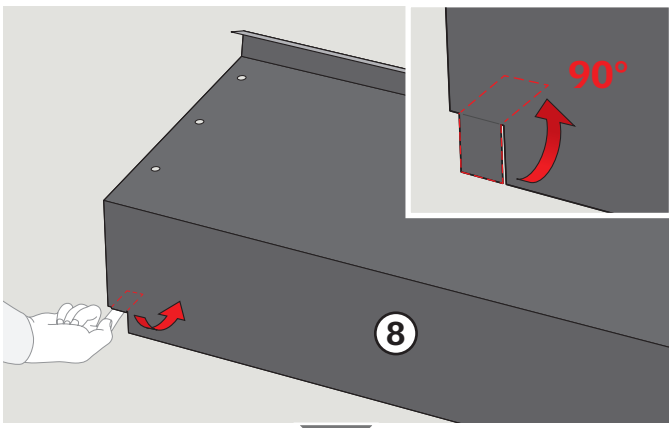
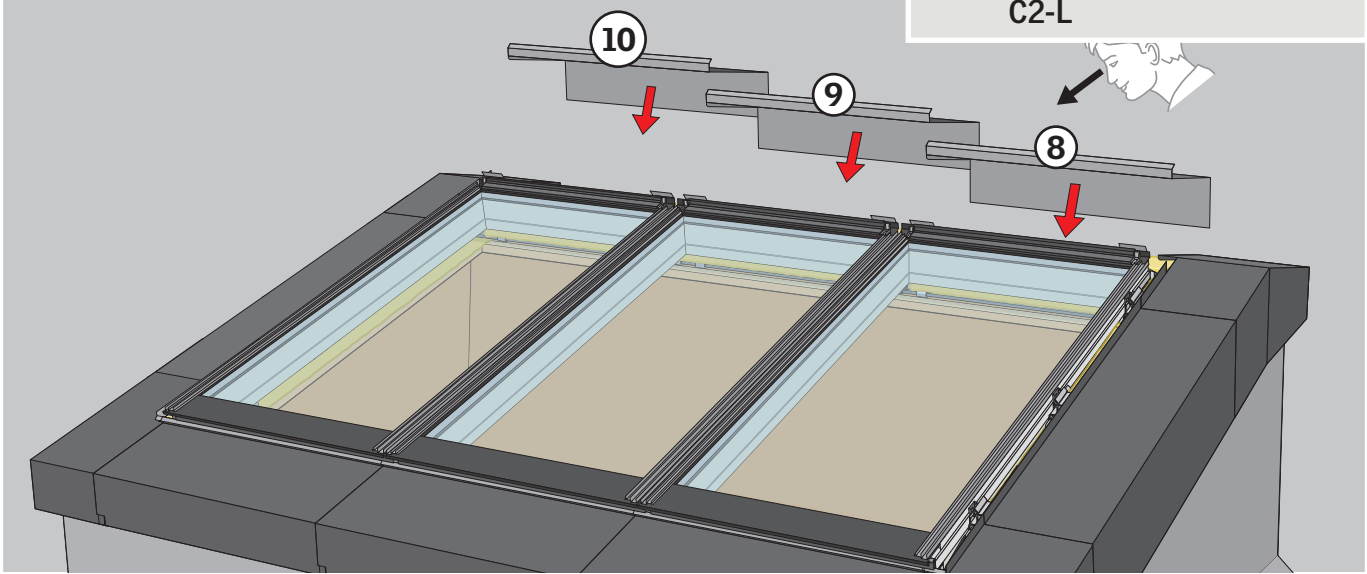
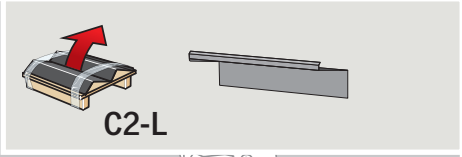


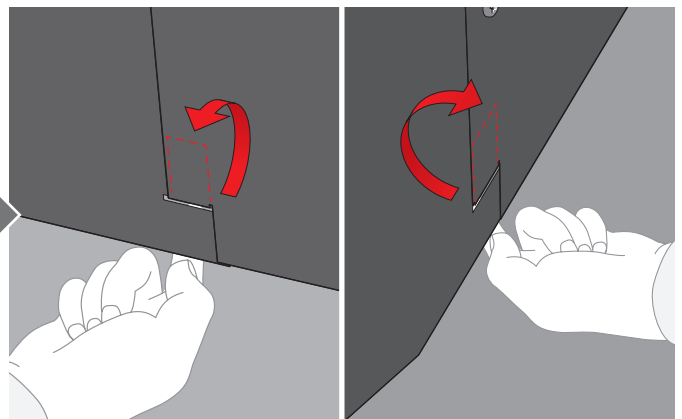
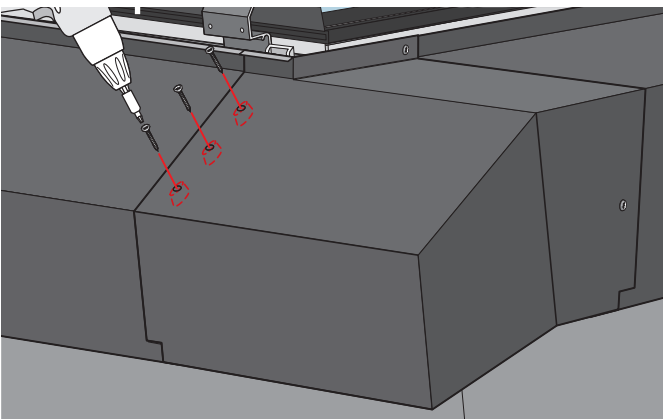
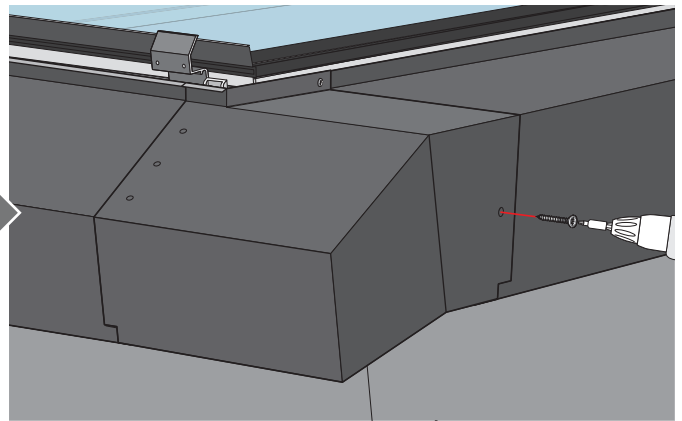
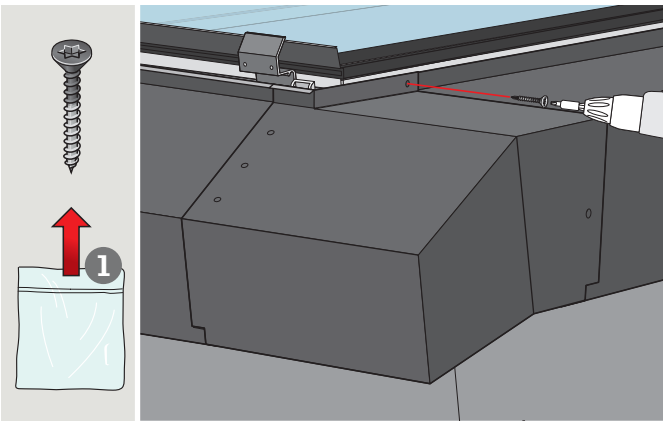
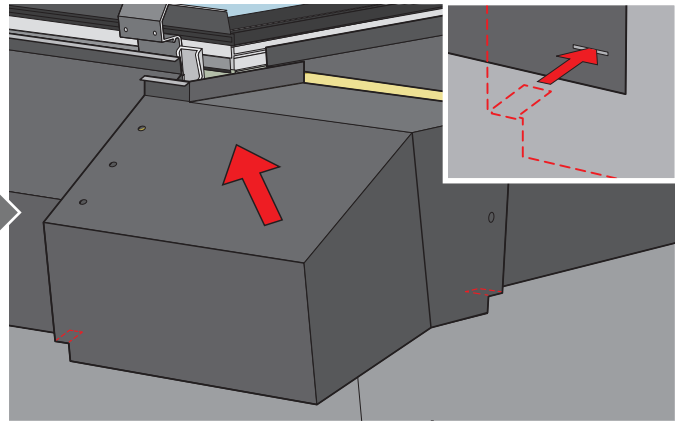
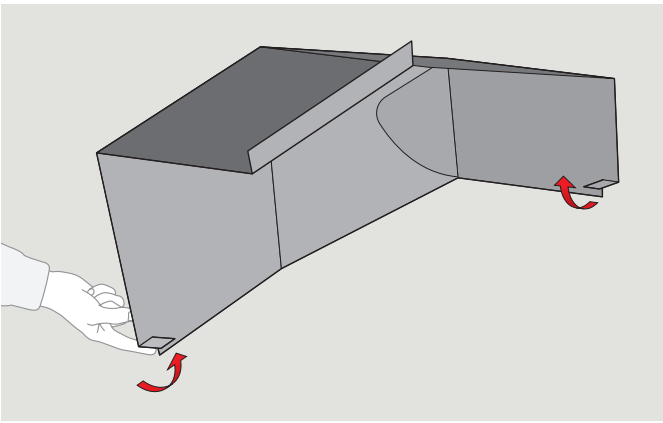
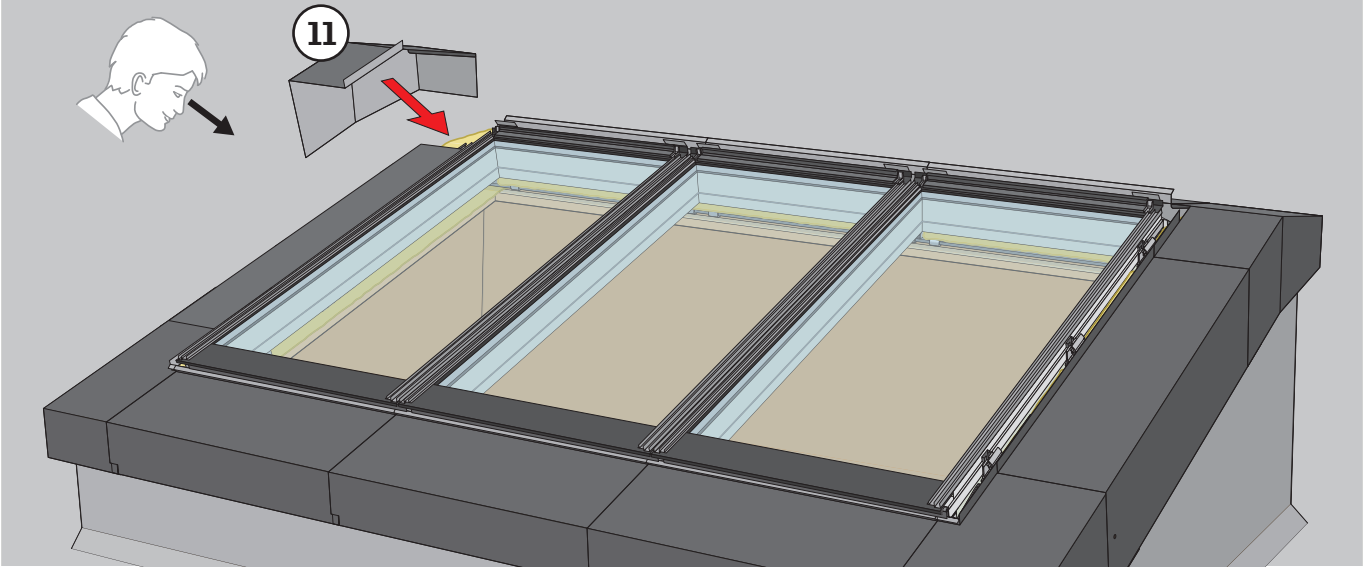
24



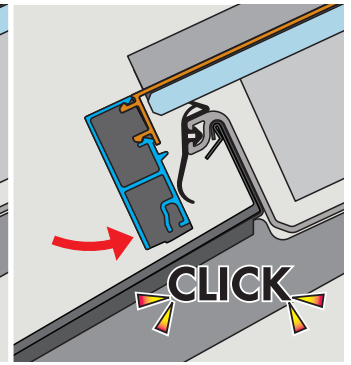
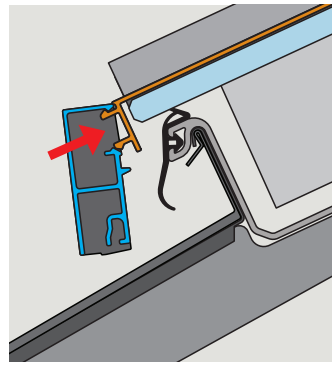
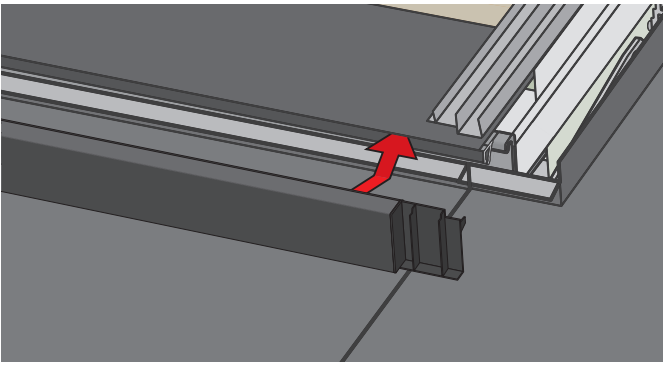
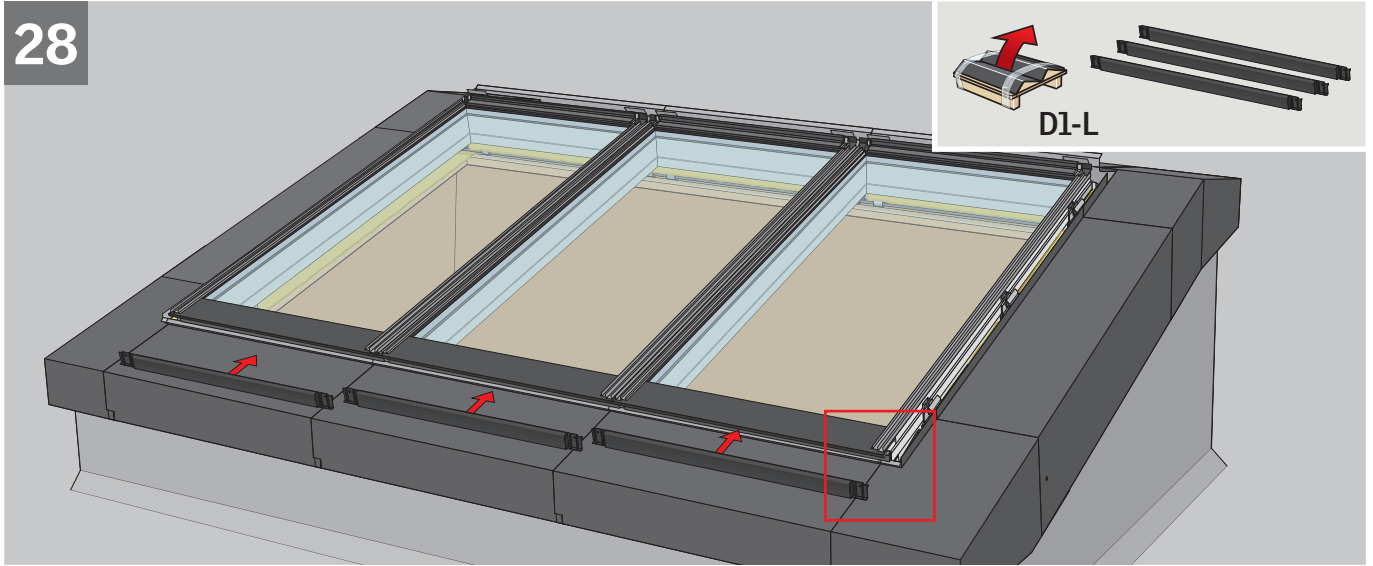
25



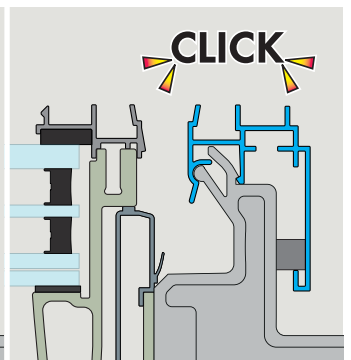
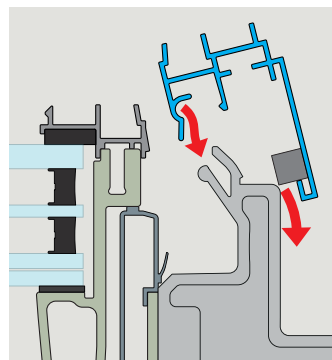
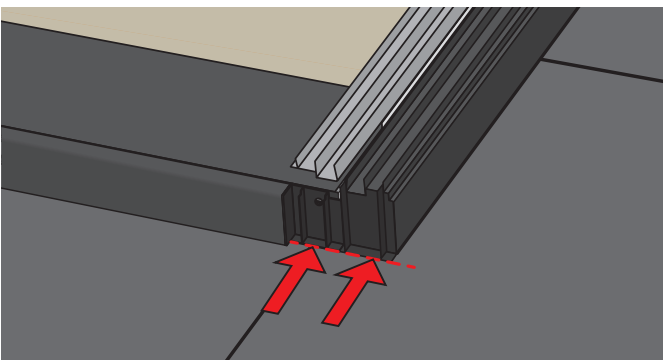
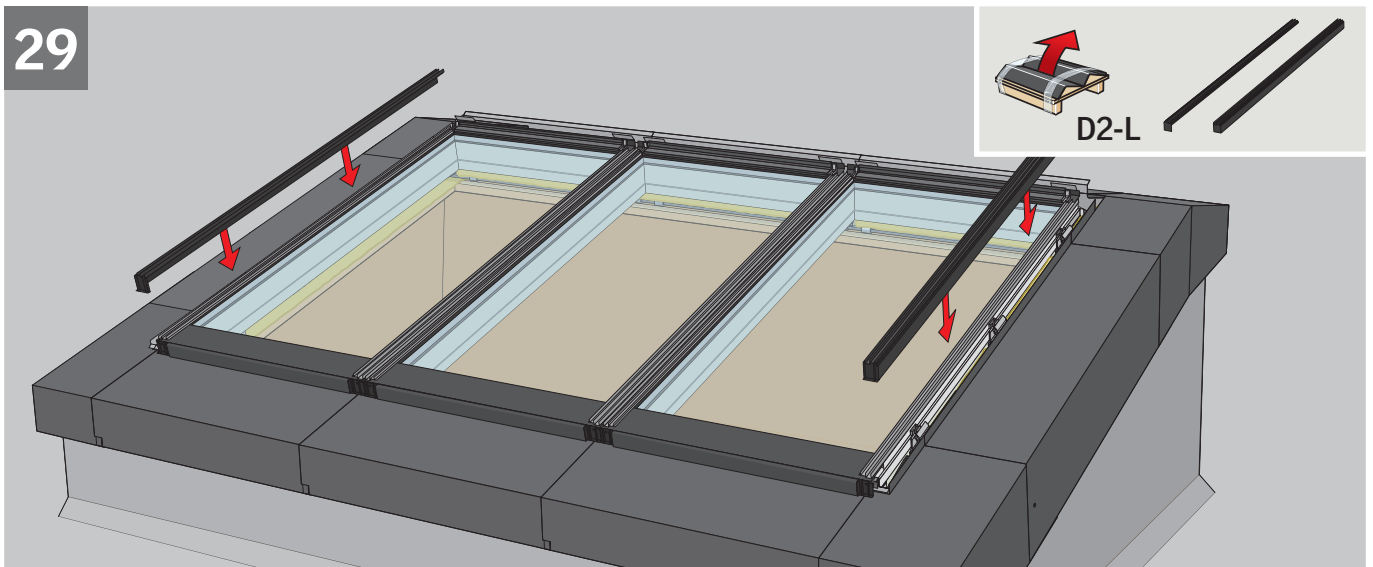


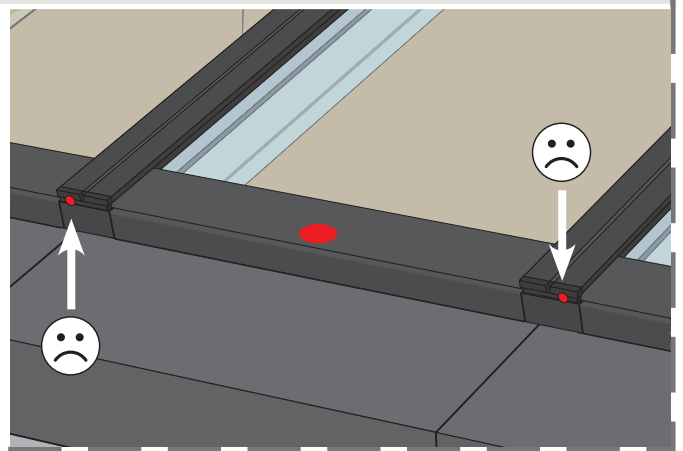
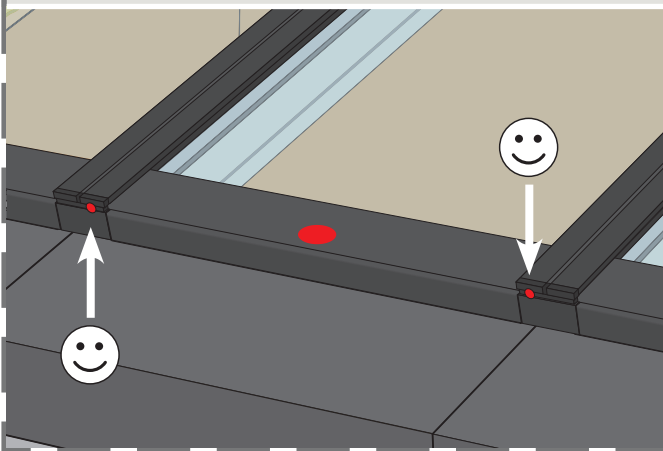
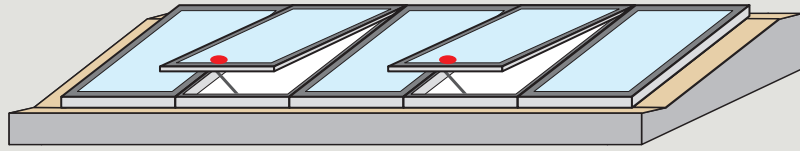


28

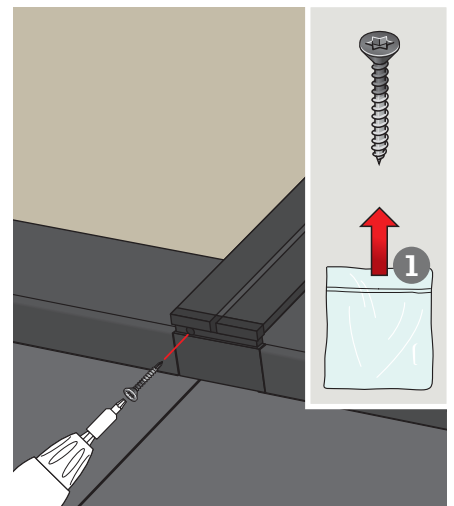
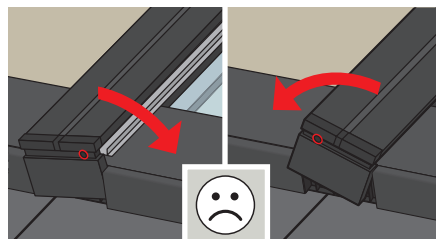
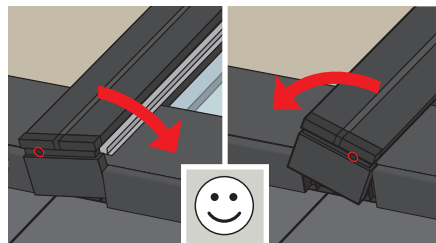
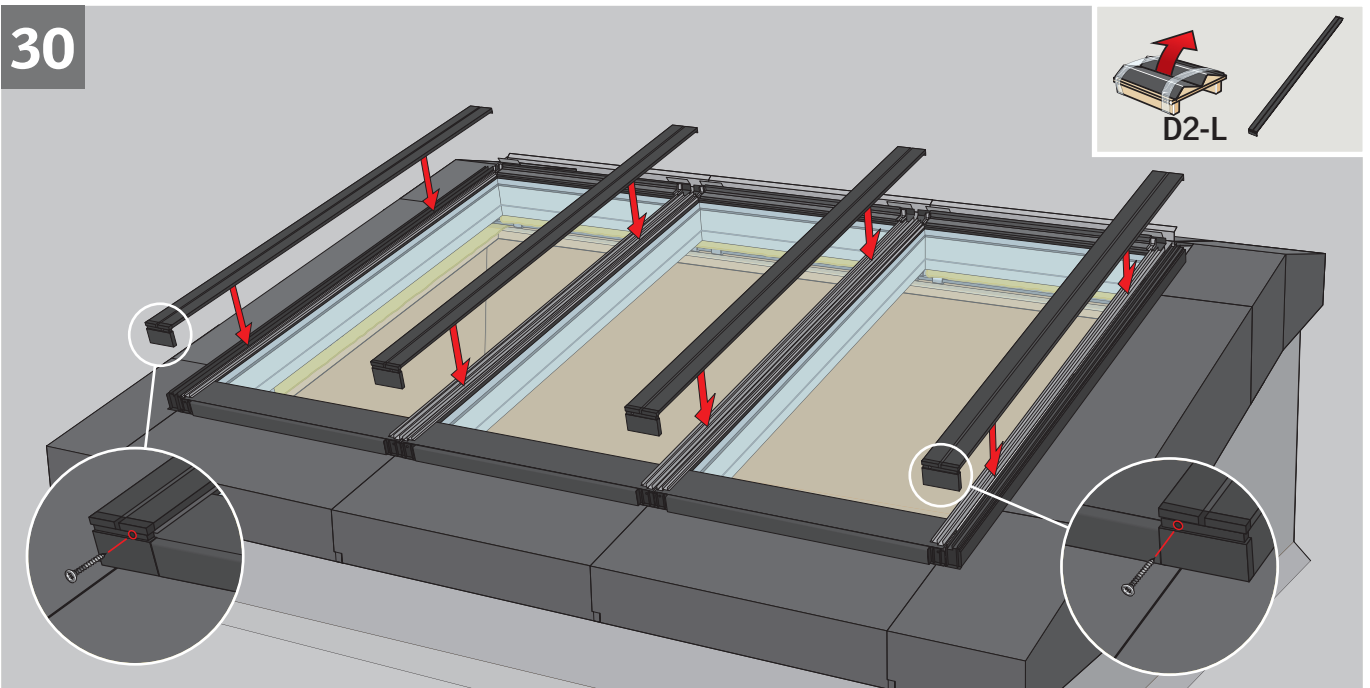


29

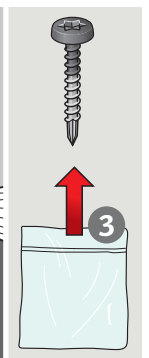
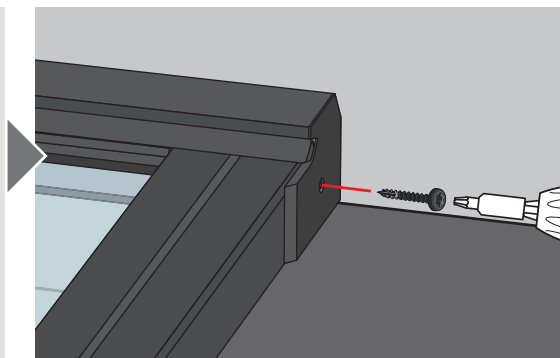
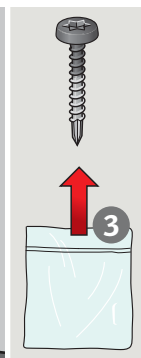
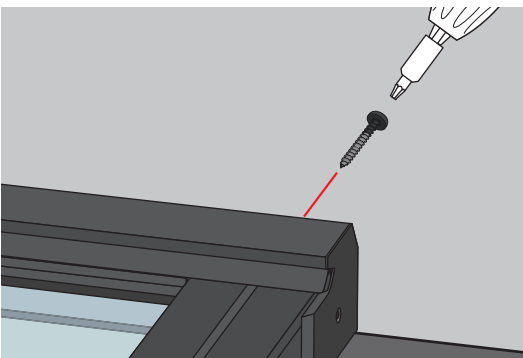
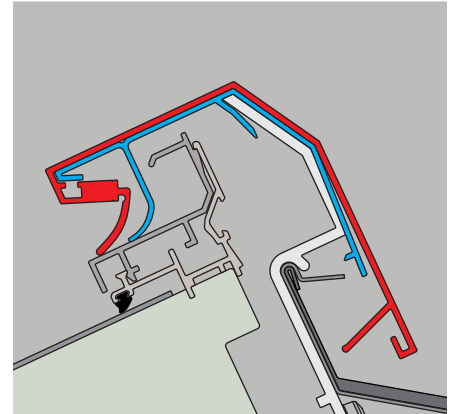
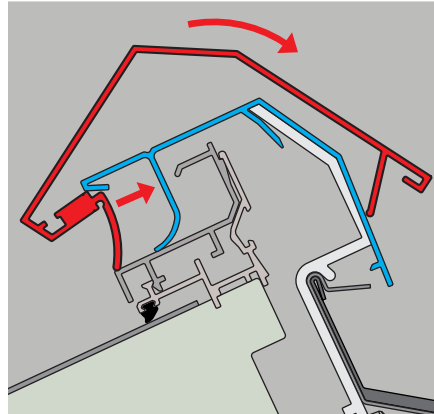
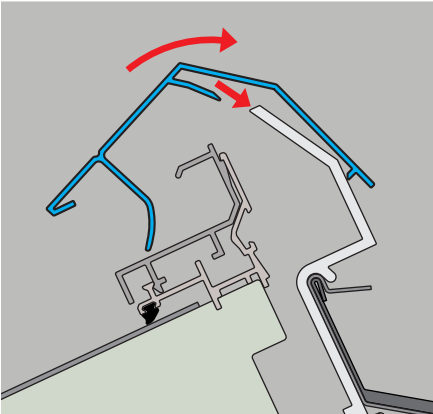
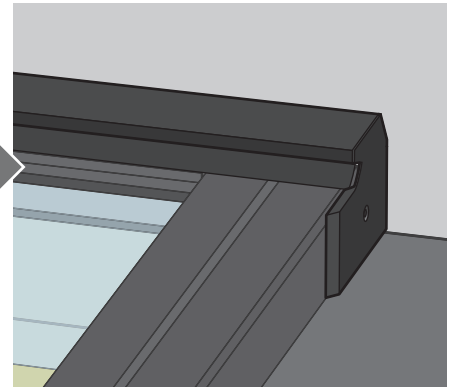
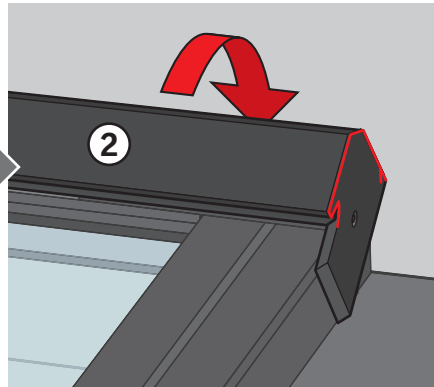
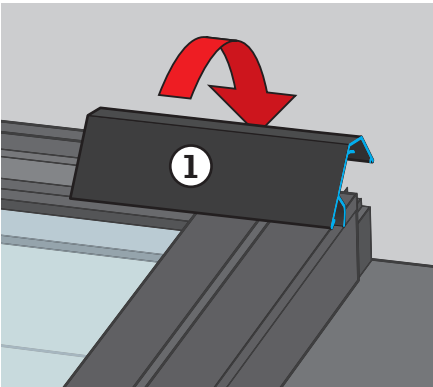
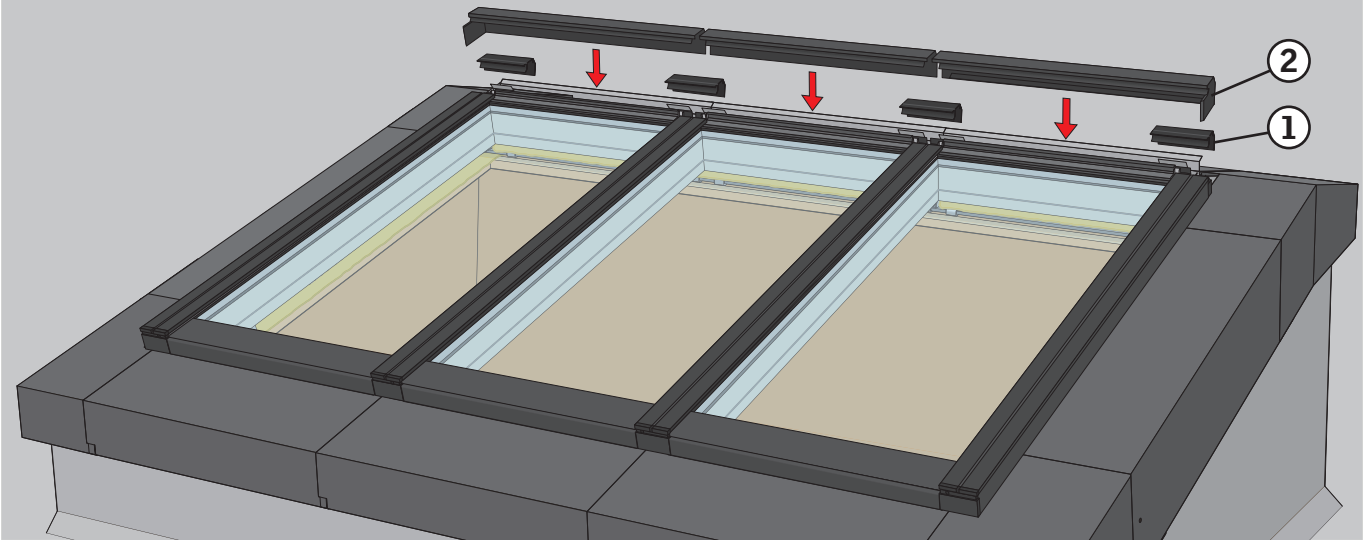
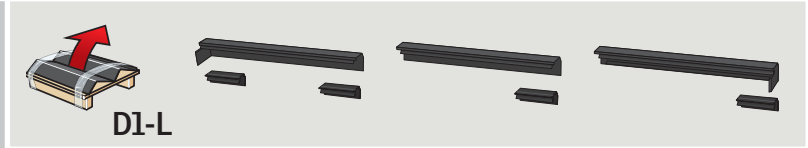




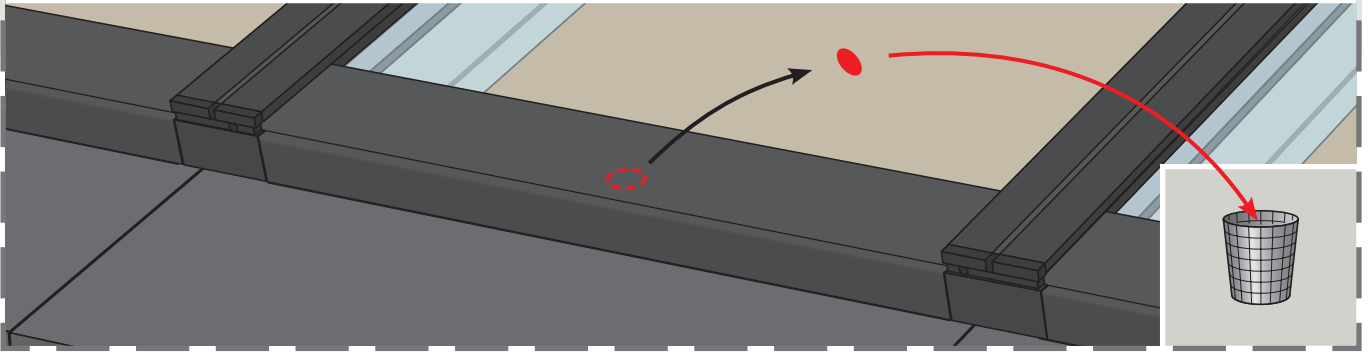
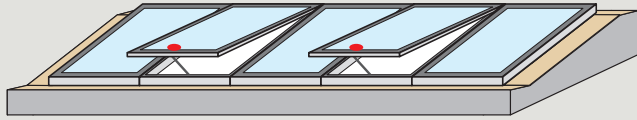
30



31



32

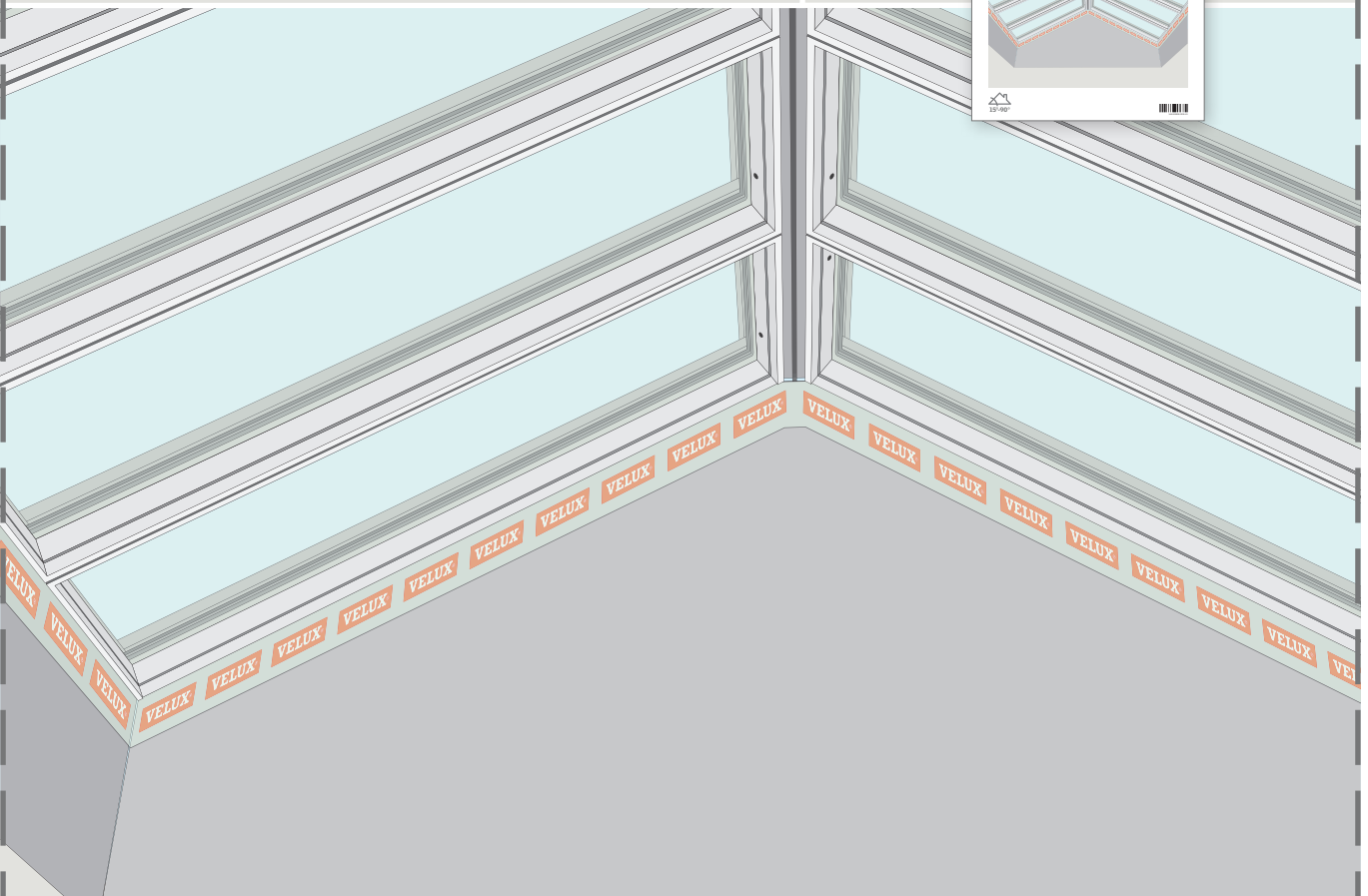
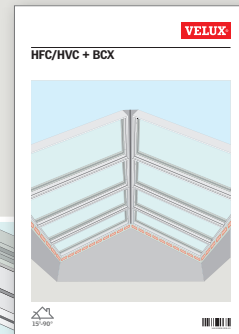


33

BCX



BCX



AR: VELUX Argentina S.A.
348 4 639944

AT: VELUX Österreich GmbH
02245/32 3 50

AU: VELUX Australia Pty. Ltd.
1300 859 856

BA: VELUX Bosna i Hercegovina d.o.o.
033/626 493, 626 494

BE: VELUX Belgium
(010) 42.09.09

BG: VELUX Bulgaria EOOD
02/955 99 30

BY: FE VELUX Roof Windows
(017) 217 7385

CA: VELUX Canada Inc.
1 800 88-VELUX (888-3589)

CH: VELUX Schweiz AG
062 289 44 45

CL: VELUX Chile Limitada
2 953 6789

CN: VELUX (CHINA) CO. LTD.
0316-607 27 27

CZ: VELUX Česká republika, s.r.o.
531 015 511

DE: VELUX Deutschland GmbH
01806 / 33 33 99
Festnetz: 0,20 €/Anruf
Mobilfunk: max. 0,60 €/Anruf

DK: VELUX Danmark A/S
45 16 45 16

EE: VELUX Eesti OÜ
621 7790

ES: VELUX Spain, S.A.
91 509 71 00

FI: VELUX Suomi Oy
0207 290 800

FR: VELUX France
0821 02 15 15
0,119€ TTC/min

GB: VELUX Company Ltd.
01592 778 225

HR: VELUX Hrvatska d.o.o.
01/5555 444

HU: VELUX Magyarország Kft.
(06/1) 436-0601

IE: VELUX Company Ltd.
01 848 8775

IT: VELUX Italia s.p.a.
045/6173666

JP: VELUX-Japan Ltd.
0570-00-8145

LT: VELUX Lietuva, UAB
(85) 270 91 01

LV: VELUX Latvia SIA
67 27 77 33

NL: VELUX Nederland B.V.
030 - 6 629 629

NO: VELUX Norge AS
22 51 06 00

NZ: VELUX New Zealand Ltd.
0800 650 445

PL: VELUX Polska Sp. z o.o.
(022) 33 77 000 / 33 77 070

PT: VELUX Portugal, Lda
21 880 00 60

RO: VELUX România S.R.L.
0-8008-83589

RS: VELUX Srbija d.o.o.
011 20 57 500

RU: ZAO VELUX
8 800 200 7520

SE: VELUX Svenska AB
042/20 83 80

SI: VELUX Slovenija d.o.o.
01 724 68 68

SK: VELUX Slovensko, s.r.o.
(02) 33 000 555

TR: VELUX Çatı Pencereleri
Ticaret Limited Şirketi
0 216 302 54 10

UA: VELUX Ukraina TOV
(044) 2916070

US: VELUX America Inc.
1-800-88-VELUX

www.velux.com