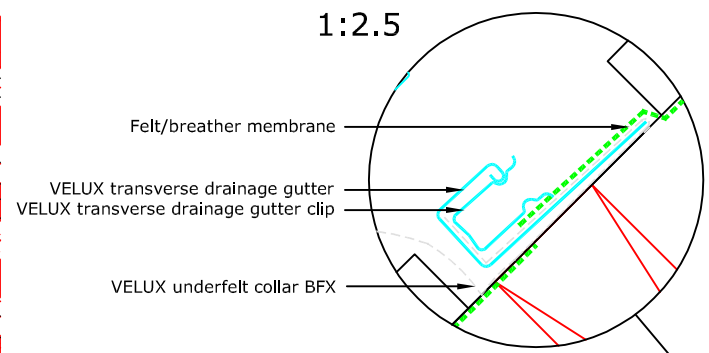
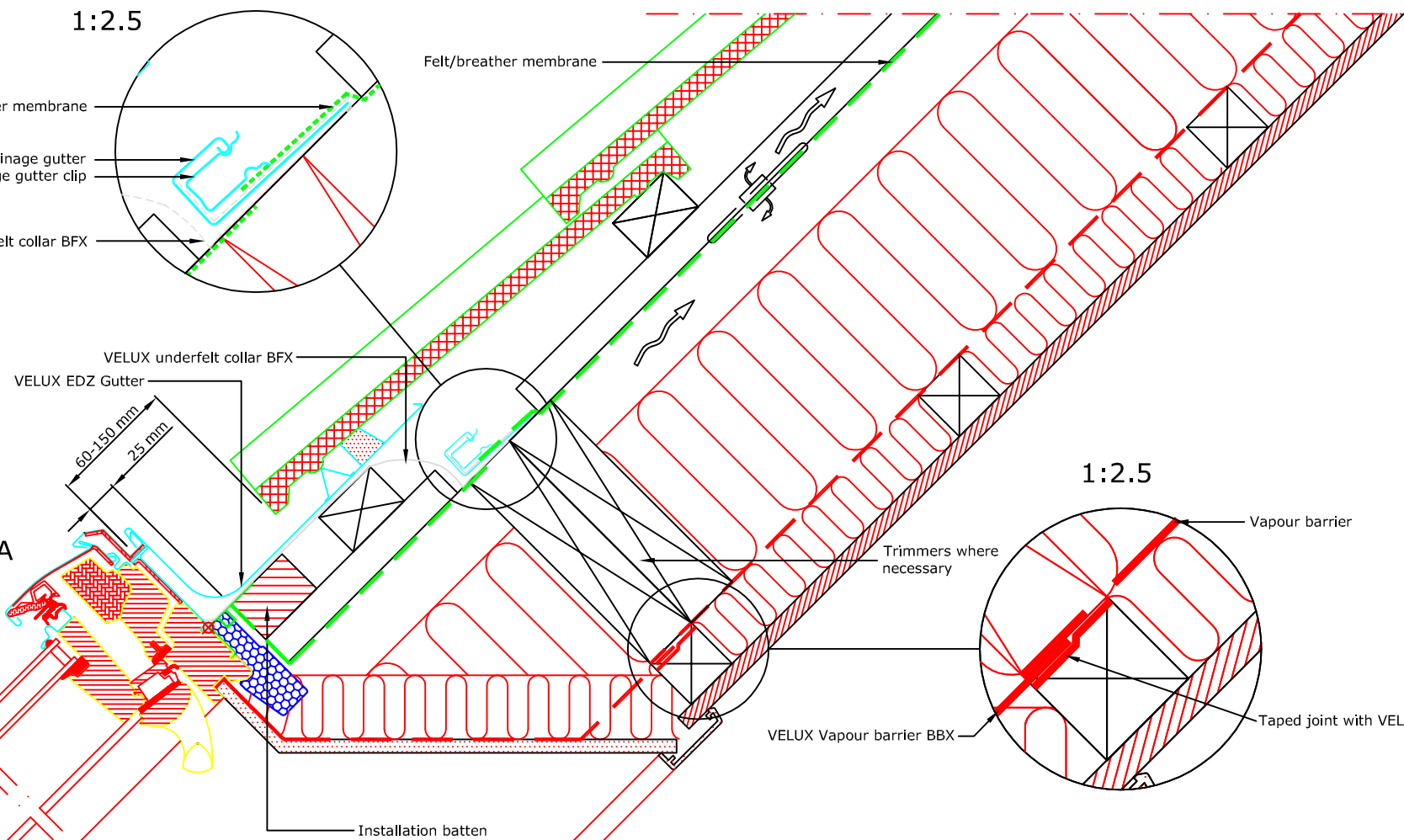


TYPICAL ELEVATION

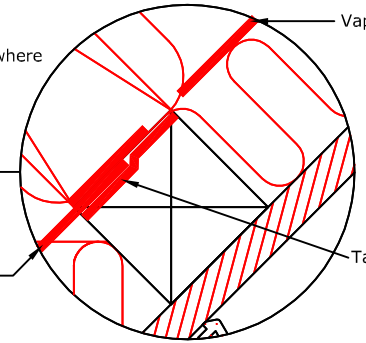
1:2.5



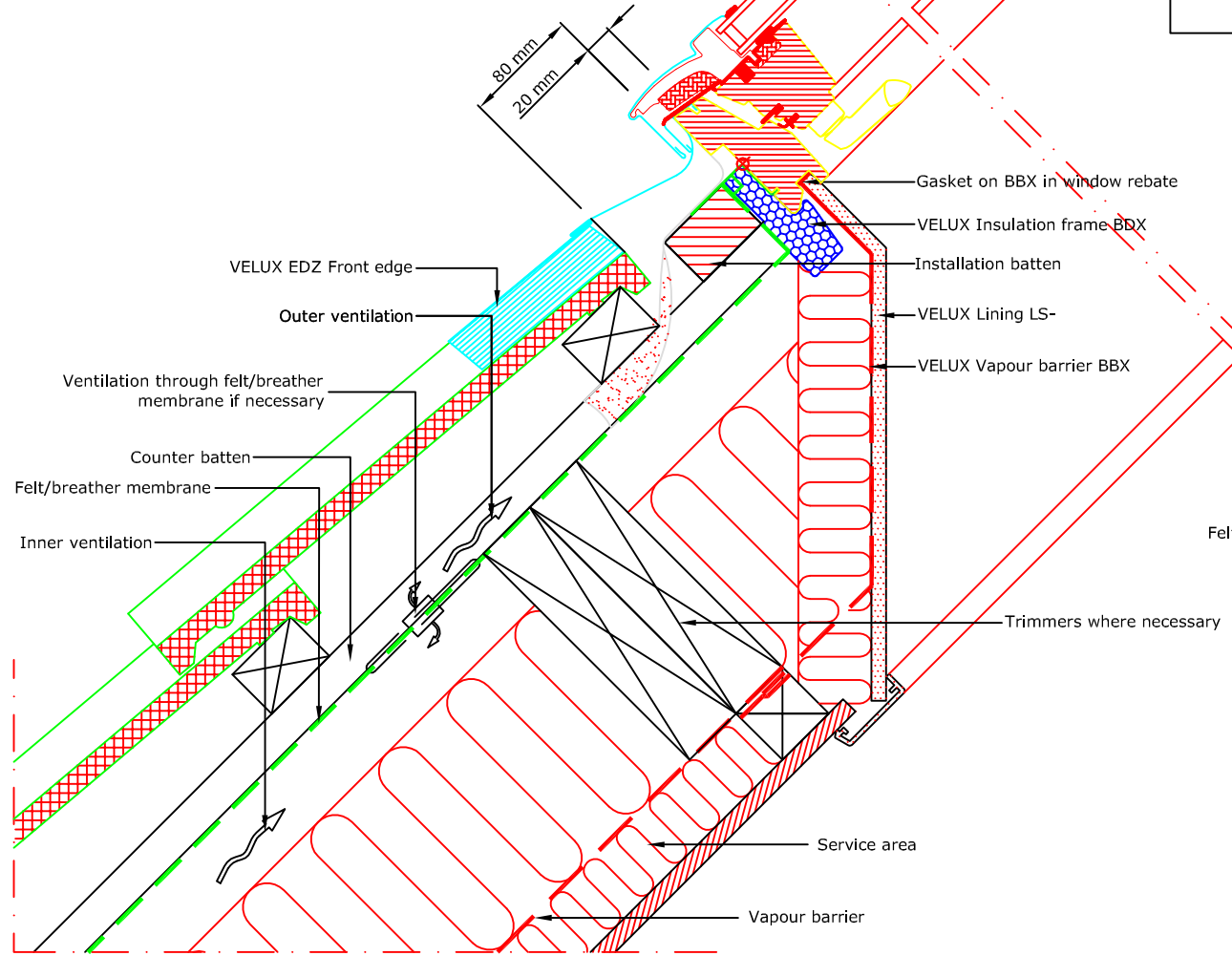
Section A-A
1:5



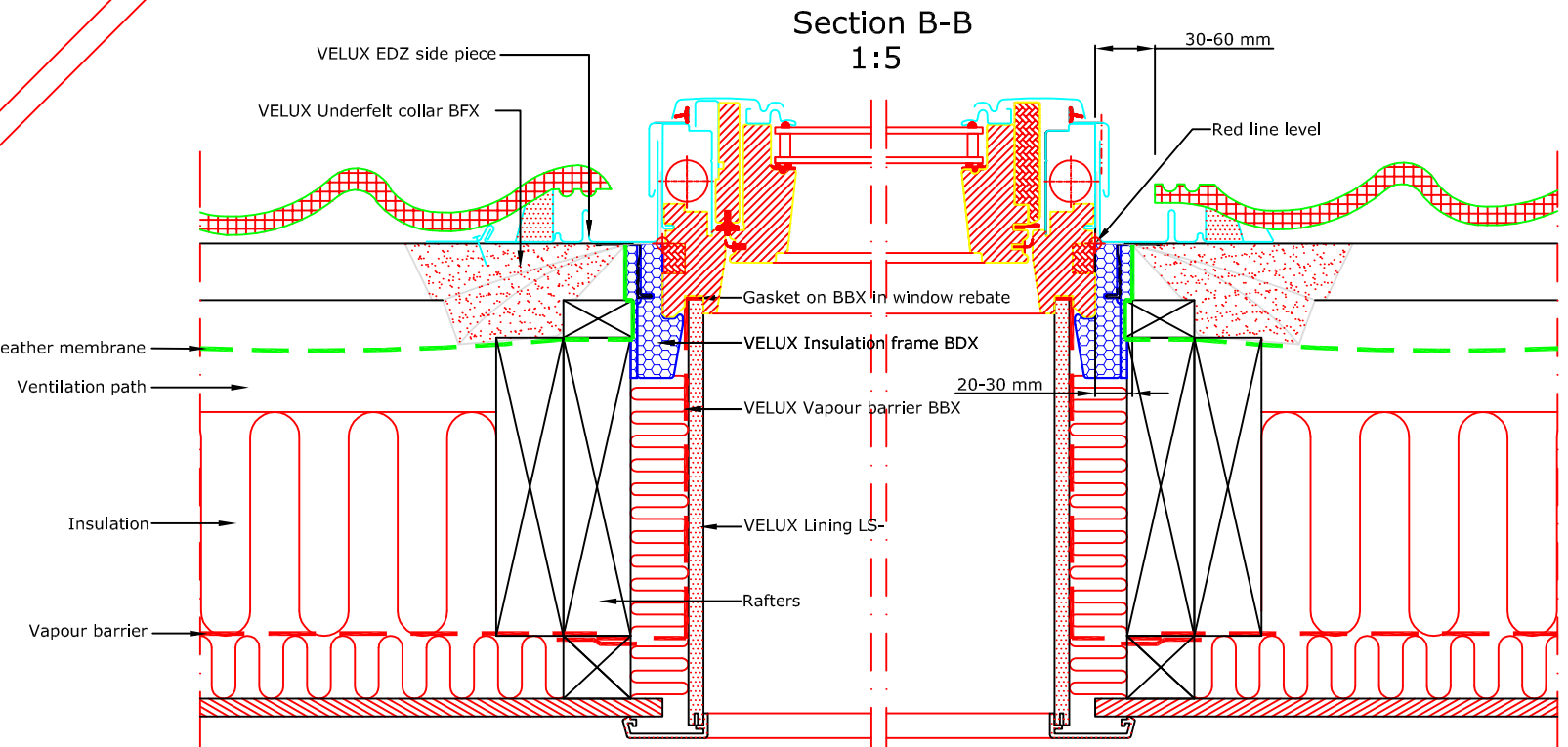
1:2.5



- VELUX Products:
- GPL 15°-55° * 55°-75° with special springs
 - EDZ 20°-90°
 - BFX
 - BDX
 - BBX
 - LS-
- Roof covering:
- TILES < 45 mm



Section B-B
1:5



VELUX Company Ltd
Woodside Way
Glenrothes, Fife KY7 4ND
tel: +44 (0) 1592 778 225

VELUX top-hung roof window
GPL single installation into low profiled tile
EDZ flashing kit - standard install into profiled tile up to 45mm thick
All dimensions are in millimetres where shown

NOTE! When installing VELUX roof windows, flashings and accessories, please ensure compliance with building regulations and British/European standards where necessary. This detail represents the principles of a typical installation only and the design and specification of the final detail is the responsibility of others.

Latest revision:	Date: January 2014	File name:
	Rev no:	GPL-EDZ-0114-1011
	Rev date:	
	Drawn: PJH	Scale: 1:5 approx. @ A3