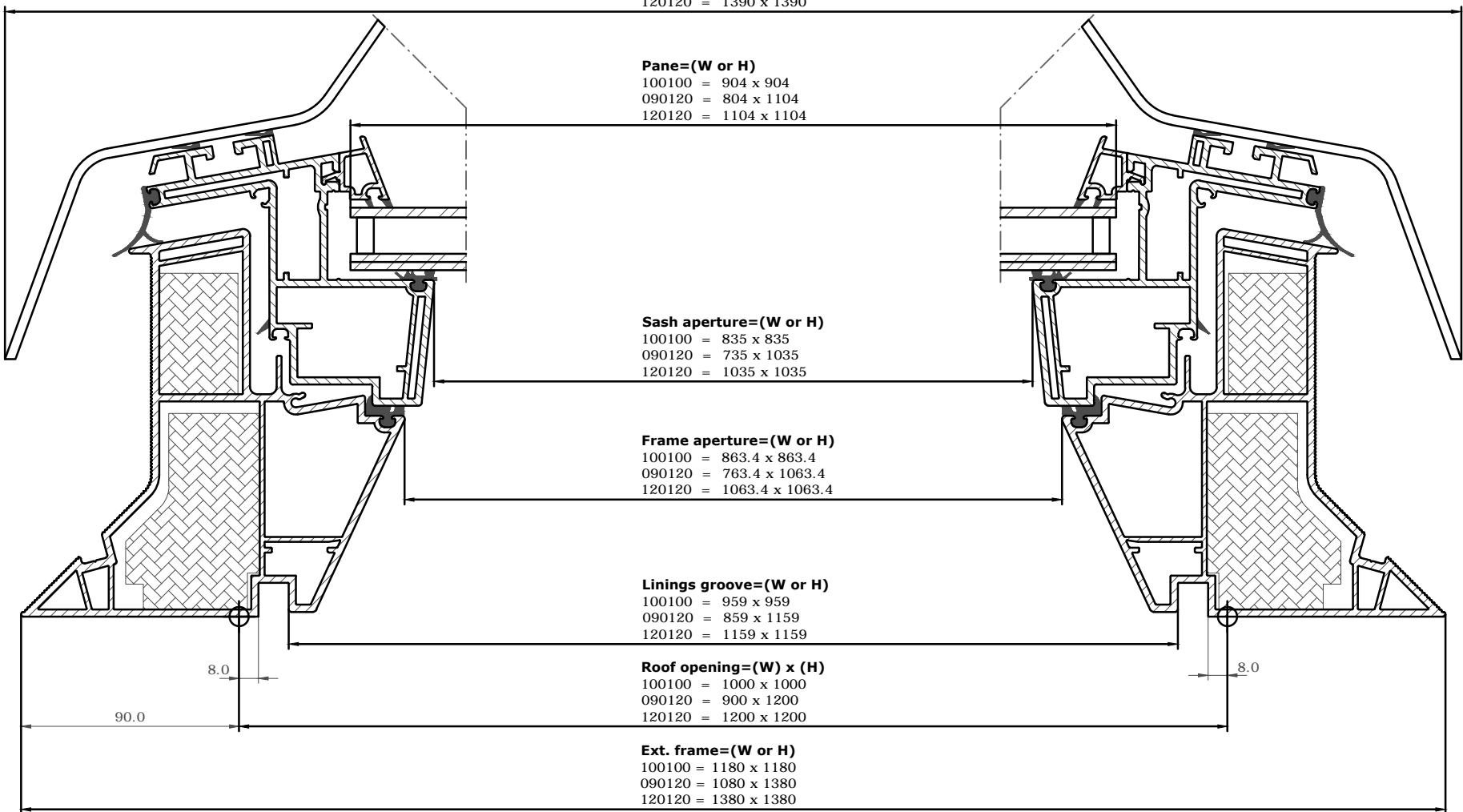


**Dome=(W or H)**  
 100100 = 1190 x 1190  
 090120 = 1090 x 1390  
 120120 = 1390 x 1390



**Pane=(W or H)**  
 100100 = 904 x 904  
 090120 = 804 x 1104  
 120120 = 1104 x 1104

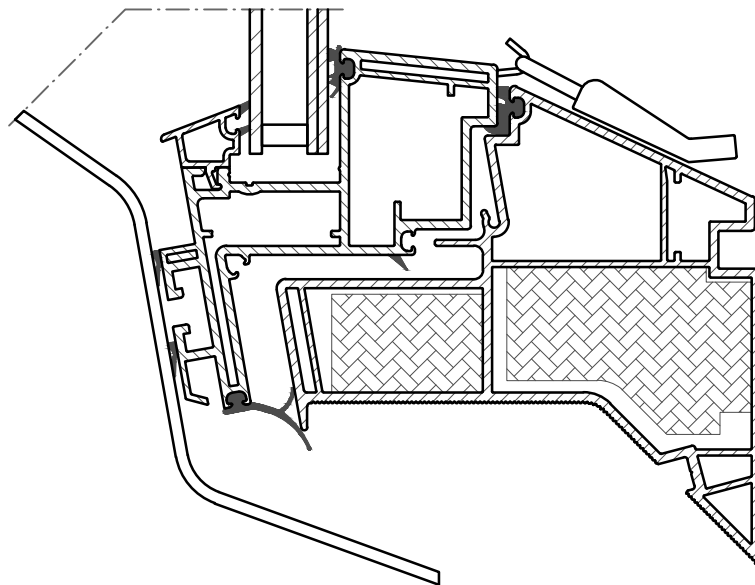
**Sash aperture=(W or H)**  
 100100 = 835 x 835  
 090120 = 735 x 1035  
 120120 = 1035 x 1035

**Frame aperture=(W or H)**  
 100100 = 863.4 x 863.4  
 090120 = 763.4 x 1063.4  
 120120 = 1063.4 x 1063.4

**Linings groove=(W or H)**  
 100100 = 959 x 959  
 090120 = 859 x 1159  
 120120 = 1159 x 1159

**Roof opening=(W) x (H)**  
 100100 = 1000 x 1000  
 090120 = 900 x 1200  
 120120 = 1200 x 1200

**Ext. frame=(W or H)**  
 100100 = 1180 x 1180  
 090120 = 1080 x 1380  
 120120 = 1380 x 1380



**VELUX**  
 CXP --73Q  
 05.04.2016/EMB

